

TA-E77ES/E77ESD

SERVICE MANUAL

E Model
TA-E77ES

US Model
Canadian Model
AEP Model
UK Model
TA-E77ESD



Photo: TA-E77ESD

SPECIFICATIONS

AUDIO SPECIFICATIONS

Item	Condition			Data
Total harmonic distortion	At rated 20Hz – 20kHz output			0.001%
Intermodulation (M)distortion 60Hz:7kHz = 4:1	at rated output			0.001%
Residual noise	Network A			Less than 10 μ V
Frequency response	PHONO MM			RIAA equalization curve ± 0.2 dB
	TUNER, CD, VIDEO 1, 2, 3 TAPE 1, 2, AUX, ADAPTOR IN			3Hz – 300kHz $^{+0}_{-3}$ dB
Input sensitivity	PHONO	MC	3 ohms	0.17mV, 100 ohms
			40 ohms	0.17mV, 1k ohm
	MM			2.5mV, 50k ohms
	TUNER, CD, AUX, TAPE 1, 2, VIDEO 1, 2, 3 ADAPTOR IN			150mV, 50k ohms
Maximum input capability (1kHz)	PHONO (1 kHz, THD 0.003%)	MC		9mV
		MM		150mV
S/N (network)	PHONO	MC (0.5mV)		83dB(A)
		MM (5mV)		95dB(A)
	TUNER, CD, AUX, TAPE 1, 2, VIDEO 1, 2, 3 ADAPTOR IN			105dB (A)

Item	Condition	Data
Output voltage impedance	REC OUT 1, 2, VIDEO OUT, ADAPTOR OUT, DAT OUT (TA-E77ESD)	150mV, 1k ohm
	HEADPHONES	45 milliwatts (at 8 ohms) Accepts low and high impedance headphones.
	PRE OUT	1.5V, 47 ohms G-AEP model : 1.5V 200 ohms
Tone controls	BASS, at 100Hz	+3.5 –4 dB (turnover freq. 200Hz) +7 –6 dB (turnover freq. 400Hz)
	TREBLE, at 10kHz	+7 –7.5 dB (turnover freq. 3kHz) ± 3.5 dB (turnover freq. 5kHz)
SUBSONIC filter	—	6 dB/octave attenuation below 15Hz

– Continued on Page 2 –

STEREO CONTROL AMPLIFIER
SONY[®]



AUD

VIDEO SPECIFICATIONS

INPUT	VIDEO 1, 2, 3	Voltage 1Vp-p Impedance 75 ohms
OUTPUT	VIDEO 1, 2 MONITOR TV	Voltage 1Vp-p Impedance 75 ohms
S VIDEO IN (TA-E77ESD only) Luminance signal	VIDEO 1, 2	Voltage 1Vp-p Impedance 75 ohms
Chroma signal	VIDEO 1, 2	Voltage 0.286Vp-p Impedance 75 ohms
S VIDEO OUT (TA-E77ESD only) Luminance signal	VIDEO 1 MONITOR	Voltage 1Vp-p Impedance 75 ohms
Chroma signal	VIDEO 1 MONITOR	Voltage 0.286Vp-p Impedance 75 ohms


DIGITAL SPECIFICATIONS (TA-E77ESD only)

Converter section


Digital input (phono jacks)	Input level (sensitivity) 0.5 Vp-p $\pm 20\%$	Impedance 75 ohms
Digital output	Output level (voltage) 0.5Vp-p $\pm 20\%$	Impedance 75 ohms The input signal comes unprocessed to the digital output terminals via a buffer, only when the TA-E77ESD is operating.

Number of channels	2 (stereo)
Demodulation (D/A conversion)	16-bit linear
Frequency response	5Hz – 20kHz ± 0.5 dB (Input digital signal sampling freq. 44.1kHz)
Harmonic distortion	Less than 0.004% at 1kHz (Input digital signal sampling freq. 44.1kHz 16-bit operation)
Dynamic range	More than 95dB (Input digital signal sampling freq. 44.1kHz 16-bit operation)
Channel separation	More than 90dB

SAFETY-RELATED COMPONENT WARNING!!

COMPONENTS IDENTIFIED BY SHADING AND MARK  ON THE SCHEMATIC DIAGRAMS AND IN THE PARTS LIST ARE CRITICAL TO SAFE OPERATION. REPLACE THESE COMPONENTS WITH SONY PARTS WHOSE PART NUMBERS APPEAR AS SHOWN IN THIS MANUAL OR IN SUPPLEMENTS PUBLISHED BY SONY.

ATTENTION AU COMPOSANT AYANT RAPPORT À LA SÉCURITÉ!

LES COMPOSANTS IDENTIFIÉS PAR UNE TRAME ET UNE MARQUE  SUR LES DIAGRAMMES SCHÉMATIQUES ET LA LISTE DES PIÈCES SONT CRITIQUES POUR LA SÉCURITÉ DE FONCTIONNEMENT. NE REMPLACER CES COMPOSANTS QUE PAR DES PIÈCES SONY DONT LES NUMÉROS SONT DONNÉS DANS CE MANUEL OU DANS LES SUPPLÉMENTS PUBLIÉS PAR SONY.

GENERAL

System Low-noise FET high gain, NFB type equalizer amplifier, low noise FET, Double-stage differential, push-pull output, flat amplifier passive type direct tone control

Power requirements

US, Canadian model: 120V AC, 60Hz
AEP, UK, E model: 110–120V or 220–240V AC adjustable, 50/60Hz

G-AEP model: 220–240V AC, 50/60Hz

Power consumption: 30W

AC outlets

US, Canadian, E model: 1 switched, 400W max.
1 unswitched, 400W max.
AEP, UK, G-AEP model: 1 switched, 400W max.

Dimensions Approx. 470 x 130 x 370mm (w/h/d)
(18¹/₂ x 5¹/₄ x 14¹/₂ inches)
incl. projecting parts and controls

Weight Approx. 12.1kg (26lb 11oz): TA-E77ES
Approx. 13kg (28lb 11oz): TA-EE7ESD

Supplied accessory

US, Canadian model: Programmable commander RM-E7 (1),
Digital signal cord (1), Connecting cord (1),
Sony New Super batteries (4), Index sheet

AEP, UK, G-AEP model: Remote commander RM-177D (1),
Digital signal cord (1), Connecting cord (1),
Sony New Super batteries (2)

E model: Remote commander RM-177 (1), Connecting
cord (1), Sony New Super batteries (2)

FEATURES

Higher sound quality

Sony performed numerous experiments and trials to determine the best chassis structure for an amplifier capable of top quality sound reproduction with superb dynamics, response and presence. The results provided the basis for the TA-E77ES/E77ESD's chassis design. The chassis, named "Gibraltar", is solid as a rock to avoid internal vibrations caused by power transformers, power transistors, and other amplifier components and stress from the outside caused by floor vibration from speakers, home appliances, and other sources. Additionally, the chassis is made of non-magnetic and non-conducting materials and this eliminates magnetic hysteresis distortion caused by transformers, capacitors, transistors, etc.

Abundant functions

- Audio input selectors control 7 audio and 3 video signals.
- Input source selection can be remotely controlled by the supplied remote commander.
- TA-E77ESD provides digital input and output jacks. These deliver excellent sound reproduction with digital audio equipment.
For the model in USA and Canada only, a programmable commander is supplied. This can remotely control almost any Sony audio and video equipment. Further, it can "read" and "store" the functions of another remote commander using an infrared ray transmitter, not only those made by Sony but those of other manufacturers as well. With this single commander, you can control your audio and video equipment regardless of their manufacturers.

SAFETY CHECK-OUT

After correcting the original service problem, perform the following safety check before releasing the set to the customer:

Check the antenna terminals, metal trim, "metallized" knobs, screws, and all other exposed metal parts for AC leakage. Check leakage as described below.

LEAKAGE TEST

The AC leakage from any exposed metal part to earth ground and from all exposed metal parts to any exposed metal part having a return to chassis, must not exceed 0.5 mA (500 microampers). Leakage current can be measured by any one of three methods.

1. A commercial leakage tester, such as the Simpson 229 or RCA WT-540A. Follow the manufacturers' instructions to use these instruments.
2. A battery-operated AC milliammeter. The Data Precision 245 digital multimeter is suitable for this job.
3. Measuring the voltage drop across a resistor by means of a VOM or battery-operated AC voltmeter. The "limit" indication is 0.75 V, so analog meters must have an accurate low-voltage scale. The Simpson 250 and Sanwa SH-63Trd are examples of a passive VOM that is suitable. Nearly all battery operated digital multimeters that have a 2 V AC range are suitable. (See Fig. A)

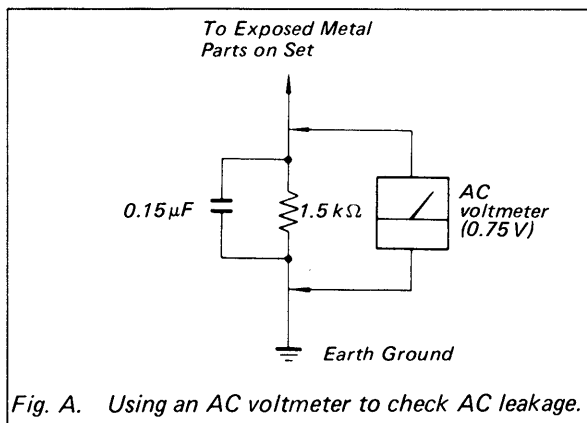


TABLE OF CONTENTS

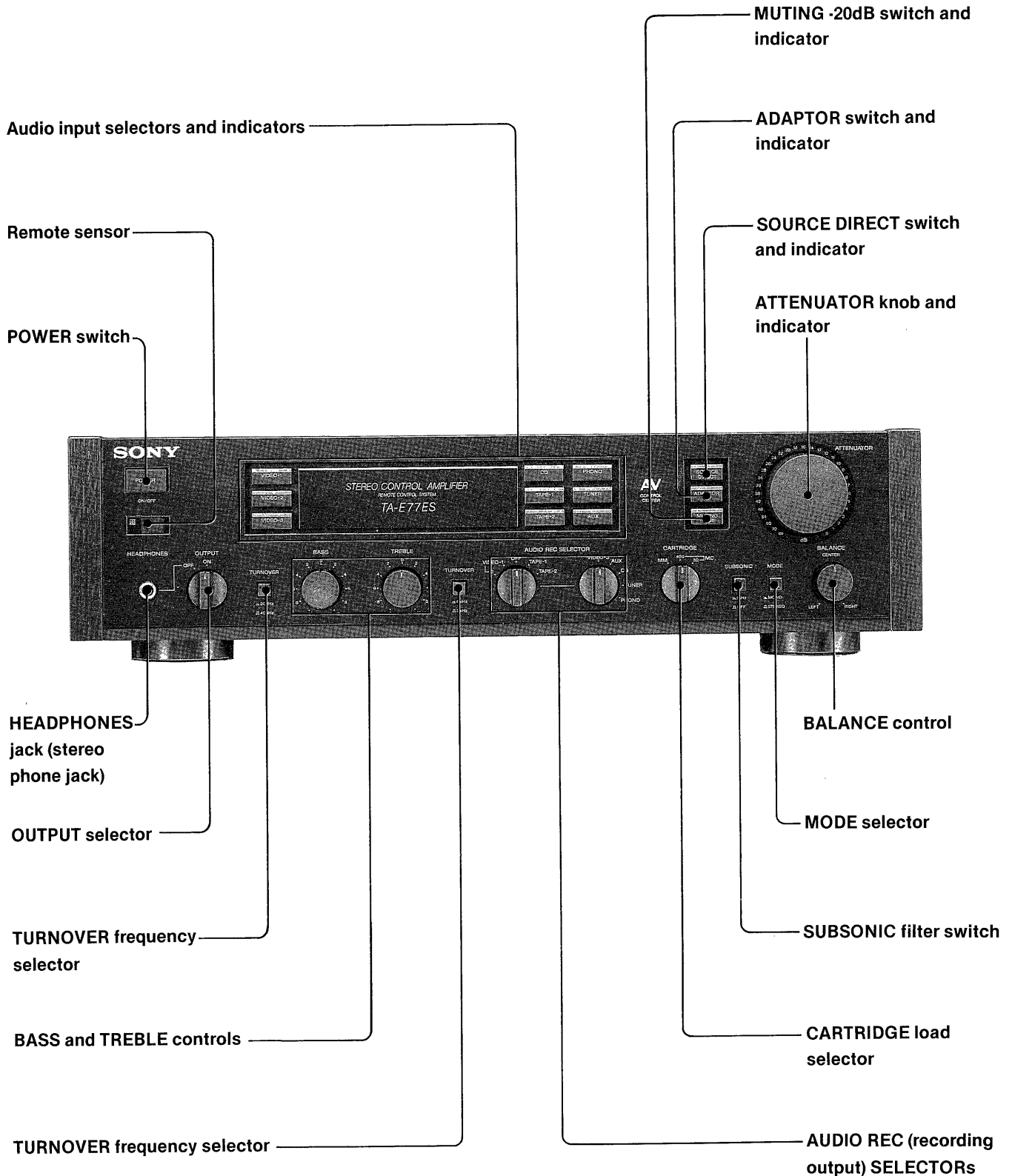
<u>Title</u>	<u>Description</u>	<u>Page</u>
	Specifications	1
	Features	2
	Safety Check-out (US Model)	3
	Troubleshooting guide	4
	Function of Controls (TA-E77ES)	5
	Function of Controls (TA-E77ESD)	6
	Overall connection diagram	7
	Function of Controls (RM-E7)	8
	Function of Controls (RM-177/177D)	10
	How to use learning function (RM-E7)	11
	Disassembly and Assembly for Switch Section	12
Section 1.	Adjustment	13
Section 2.	Diagrams	
2-1.	Mounting Diagram (1) D/A Converter Section (TA-E77ESD)	15
2-2.	Schematic Diagram (1) D/A Converter Section (TA-E77ESD)	17
2-3.	Mounting Diagram (2) Control AMP Section	22
2-4.	Schematic Diagram (2) Control AMP Section	27
Section 3.	Exploded Views and Parts List	33
Section 4.	Electrical Parts List	37

Troubleshooting guide

Trouble	Cause/Remedy
No audio	Faulty setting of OUTPUT selector. Faulty connection <ul style="list-style-type: none"> • Connect the power amplifier and other equipments correctly. The audio input selector is not correctly set. The ADAPTOR switch is set to on when the ADAPTOR jacks are not used. The equipment connected to the ADAPTOR jacks is not turned on. <ul style="list-style-type: none"> • Set the ADAPTOR switch to off or turn on the equipment.
No audio from one channel or unbalanced left and right sound level	Incorrect setting of the BALANCE control
No recording	The AUDIO REC SELECTORs are not correctly set. <ul style="list-style-type: none"> • Set the selectors correctly. For selection on right AUDIO REC SELECTOR, set the left selector to the right most position.
Low volume	The MUTIG switch is depressed. <ul style="list-style-type: none"> • Release the switch. Incorrect setting of the CARTRIDGE load selector.
Lack of bass sound or obscure instrument position	Mal-setting of sound quality controls <ul style="list-style-type: none"> • Adjust the controls for sound quality. Faulty setting of the CARTRIDGE load selector.
Severe hum or noise	Noise from TV, etc. <ul style="list-style-type: none"> • Keep the connecting cords away from transformers or motors, TV and fluorescent lights. Faulty connection of turntable system. <ul style="list-style-type: none"> • Ground the turntable system
Remote control operation cannot be performed.	The batteries in the commander are exhausted. <ul style="list-style-type: none"> • Replace them with new ones.

FUNCTION OF CONTROLS

TA-E77ES



TA-E77ESD

SAMPLING FREQ. (DIGITAL) indicators
Lights up according to the input digital signal.

Audio input selectors and indicators

Remote sensor

POWER switch

MUTING -20dB switch and indicator

ADAPTOR switch and indicator

SOURCE DIRECT switch and indicator

ATTENUATOR knob and indicator



HEADPHONES jack (stereo phone jack)

OUTPUT selector

TURNOVER frequency selector

BASS and TREBLE controls

TURNOVER frequency selector

BALANCE control

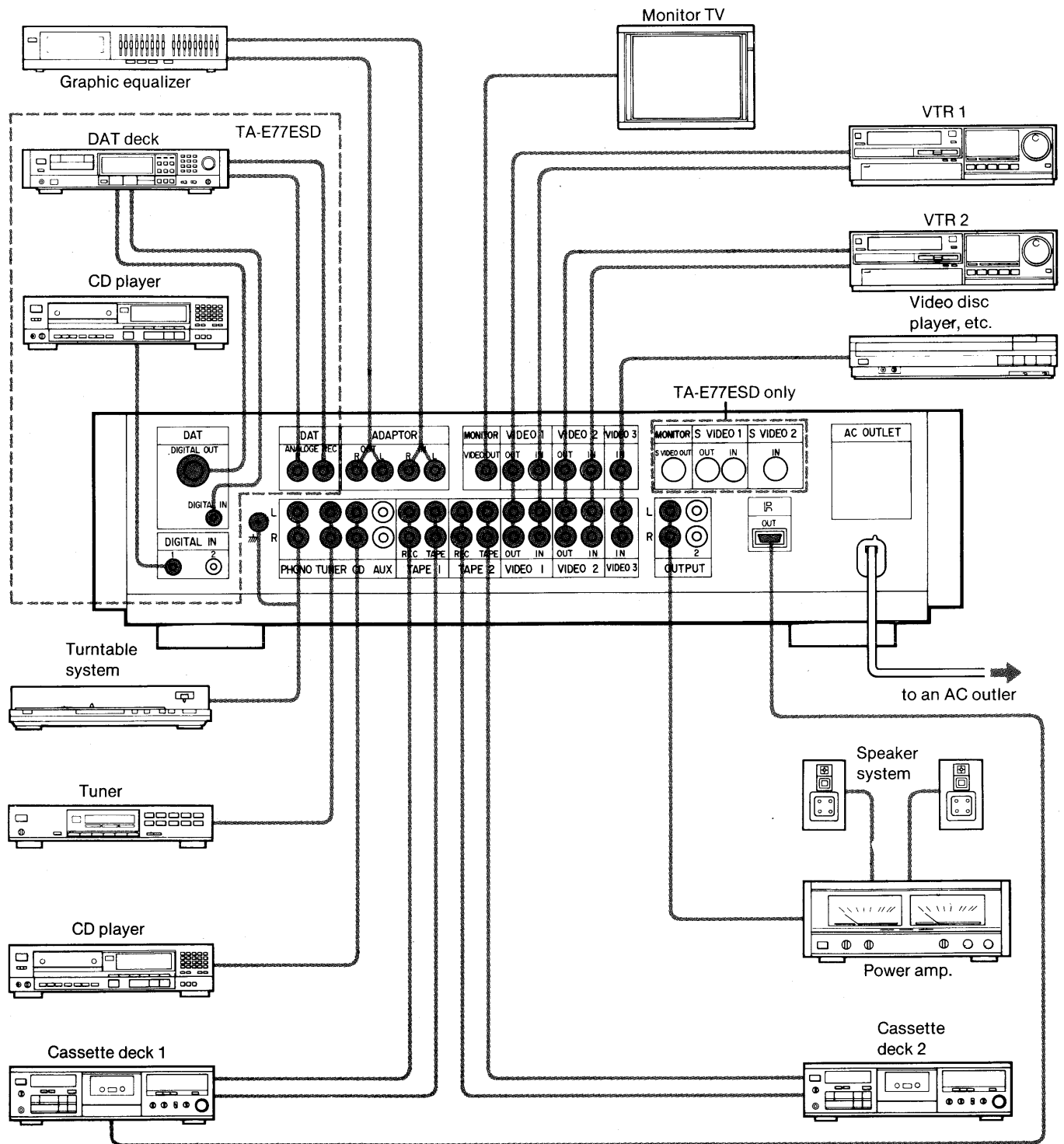
MODE selector

SUBSONIC filter switch

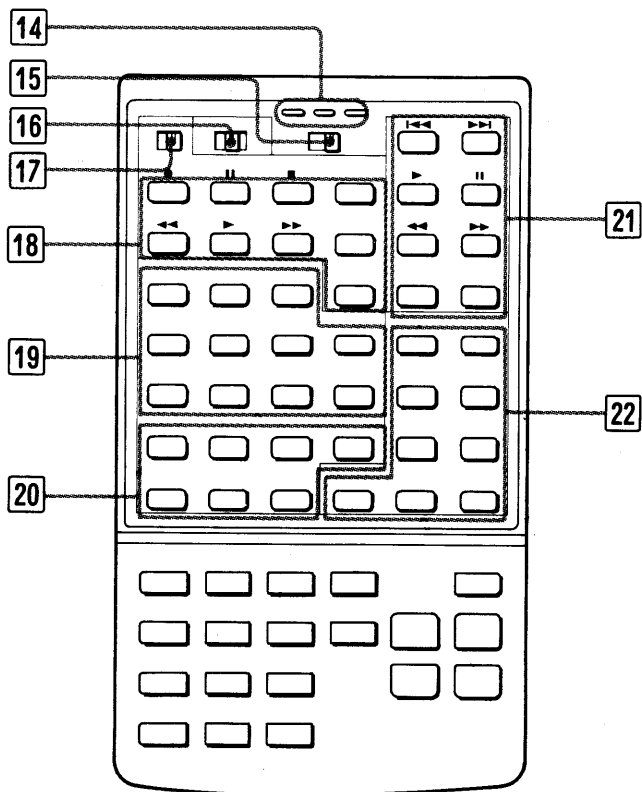
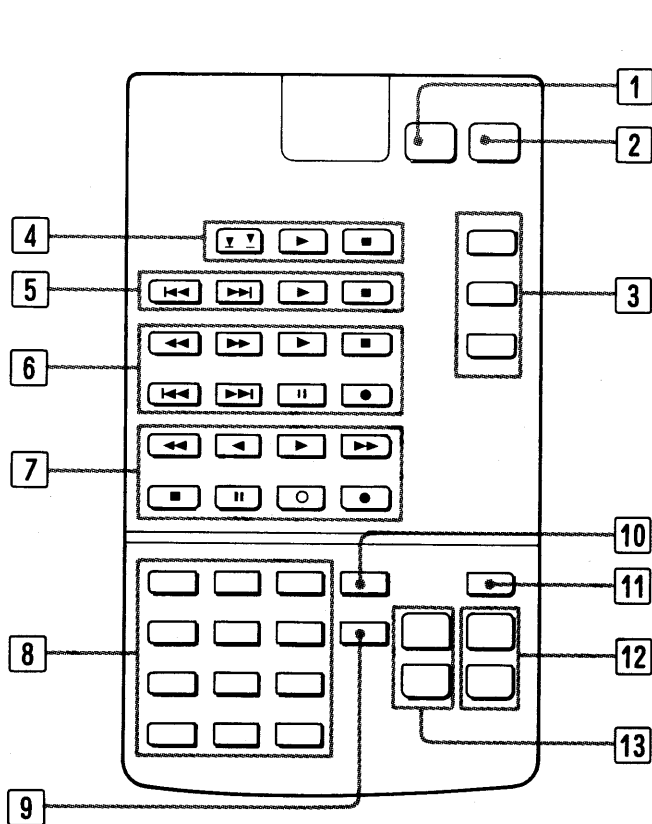
CARTRIDGE load selector

AUDIO REC (recording output) SELECTORS

Overall connection diagram



Programmable commander RM-E7



1 AUDIO POWER ON/OFF switch

Turns the power of the amplifier on or off.

2 SYSTEM POWER OFF switch

Turns off the power of the amplifier, TV, VTR1 or VTR2.

3 VIDEO POWER ON/OFF switch

TV: Turns the power of the TV on or off.

VTR1: Turns the power of the VTR 1 on or off.

VTR2: Turns the power of the VTR 2 on or off.

4 PHONO buttons

▼ ▼: Lifts or lowers the tonearm.

▶: Starts record playing

■: Stops record playing

5 CD buttons

◀▶: AMS*

▶: Starts playing

■: Stops playing

*AMS = Automatic Music Sensor

6 DAT buttons

◀▶: Leftward and rightward fast winding

▶: Forward play

■: Stop

◀▶: AMS

||: Pause

○: Record

7 TAPE button

◀▶: Leftward fast winding

◀: Reverse play

▶: Forward play

▶▶: Rightward fast winding

■: Stop

||: Pause

○: Record muting

●: Recording

8 Program source selectors

9 ADAPTOR switch

10 SOURCE DIRECT switch

11 MUTING switch**12 ATTENUATOR buttons****13 TUNER PRESET buttons**

- + : Selects higher preset number.
- : Selects lower preset number.

14 Indicators

LEARNED
Transmit indicator
READY

15 LEARN/USER/SONY selector

Selects the function of the FREE buttons or the other buttons.

SONY: To operate this commander normally.

LEARN: To memorize the function of another remote commander on one of the FREE buttons.

USER: To recall the memorized function on FREE buttons.

16 FM-AM/TV/VTR selector

Selects the unit to be controlled; tuner, TV or VTR.

17 VTR selector

Selects the command mode.

If your VTR has a command mode selector, set this selector to the same position as that set on the VTR.

If your VTR does not have one, set to 1.

If a Sony 8mm VTR is connected, set to 2.

18 VTR operation buttons

●: Recording

⏸: Pause

■: Stop

◀◀: Rewind

▶: Play

▶▶: Fast forward

CH + : For higher numbered channels

CH - : For lower numbered channels

TV/VIDEO: Selects the input signal of the VTR: TV or video.

19 TUNER FM-AM/TV/VTR channel buttons

10-key preset channel buttons: Memorize or recall the preset channels for the unit determined by the setting of the FM-AM/TV/VTR selector.

ENTER : Completes the operation for memory presetting of radio, TV or VTR channels.

20 TV buttons

MTS(Multichannel TV Sound): Receives a multichannel TV sound program when the FM-AM/TV/VTR selector is set to TV.

TV/VTR :Selects the TV signal input.

CH + : Selects a higher TV channel.

CH - : Selects lower TV channel.

VOL + : Increases the sound level.

VOL - : Decreases the sound level.

DISPLAY: Displays the selected signal source on the TV screen.

21 VDP (Video disc player) buttons

◀◀/▶▶: Chapter search

▶: Play

⏸: Pause

◀◀: Reverse play

▶▶: Fast play

STEREO: Outputs left and right channel sound simultaneously.

Use for bilingual programs.

TV/VDP: Selects TV signal input or disc program.

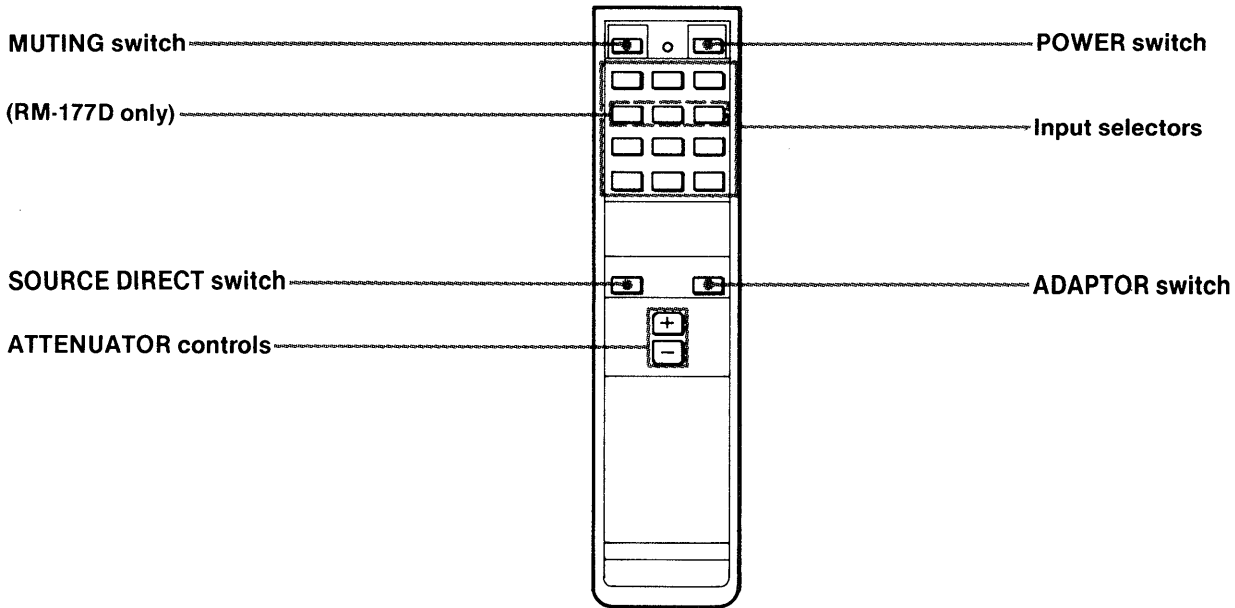
22 FREE buttons

A - G : Accept learning function when the

LEARN/USER/SONY selector is set to LEARN.

Recall the memorized function.

Remote commander RM-177/177D



Installing batteries

Open the battery lid located on the rear.
Insert two (four for RM-E7) size AA (R6) batteries with correct polarity.

Battery life

About a half year of normal operation can be expected when using the Sony SUM-3(NS) batteries.
When the batteries are exhausted, the remote commander cannot operate the unit. If this happens, replace both batteries with new ones.

To avoid battery leakage

When the commander is not to be used for a long time, remove the batteries to avoid damage caused by battery leakage and corrosion.

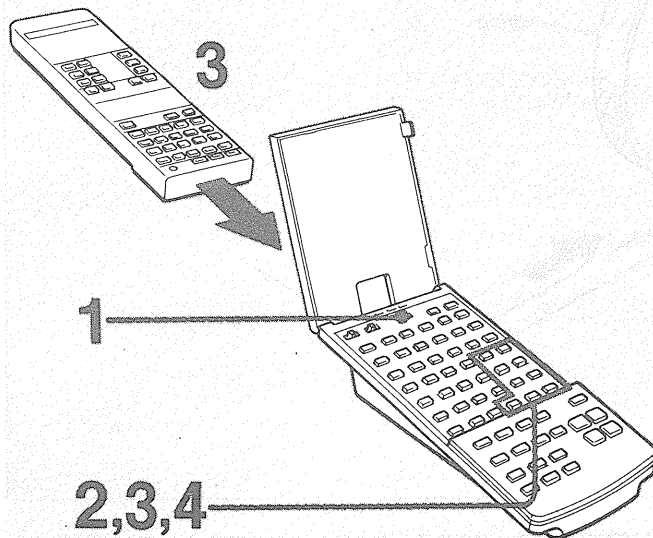
To avoid malfunction of the commander

Keep the commander away from extremely hot or humid place.

Coverage of the remote commander

The commander can remotely control the equipments placed within the distance of 7m.

How to use learning function (RM-E7 only)



- 1** Set LEARN/USER/SONY to LEARN.
The READY indicator lights up.
- 2** Turn this commander towards another commander and press one of the FREE buttons.
If the selected button is inoperative, the READY indicator flickers.
- 3** While keeping the FREE button pressed, press the desired function button on the other commander.
The function is memorized by this unit. When the memorization is completed, the READY indicator goes out and the LEARNED indicator lights up.
- 4** Release the FREE button.
The LEARNED indicator goes out and the READY indicator lights up to indicate that the next learning is ready to start.

When learning is finished

Set the LEARN/USER/SONY selector to a position other than LEARN. The READY indicator goes out.

To use the learned function

Set the LEARN/USER/SONY selector to USER.

To use for other functions than learning

Set the LEARN/USER/SONY selector to SONY.

Note

The memorization will be remained for two or three days without installing the batteries.

Index sheet

Use the supplied index sheet by placing it on the FREE buttons for further reference.

CAUTION

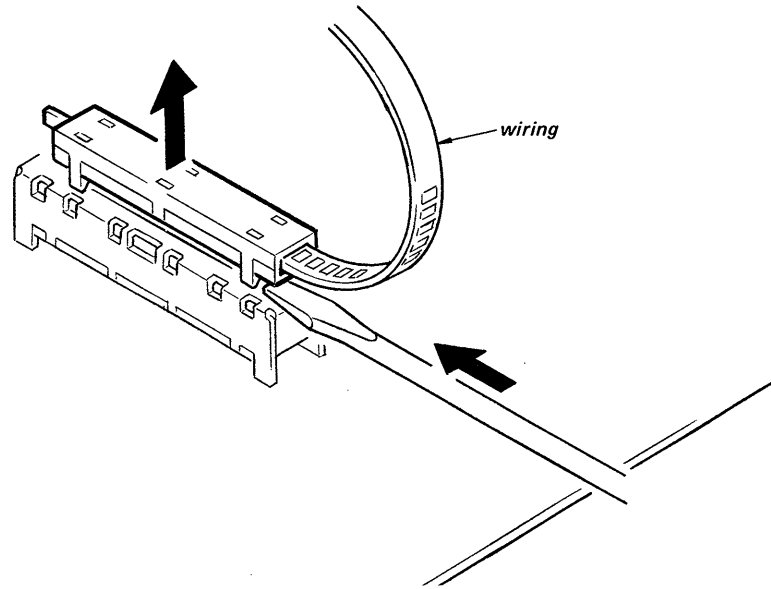
Be sure to confirm if the functions have been stored as a few of the functions of other manufacturer commanders are not storable on this commander.

NOTE ON REPAIRING DISASSEMBLY AND ASSEMBLY FOR SWITCH SECTION

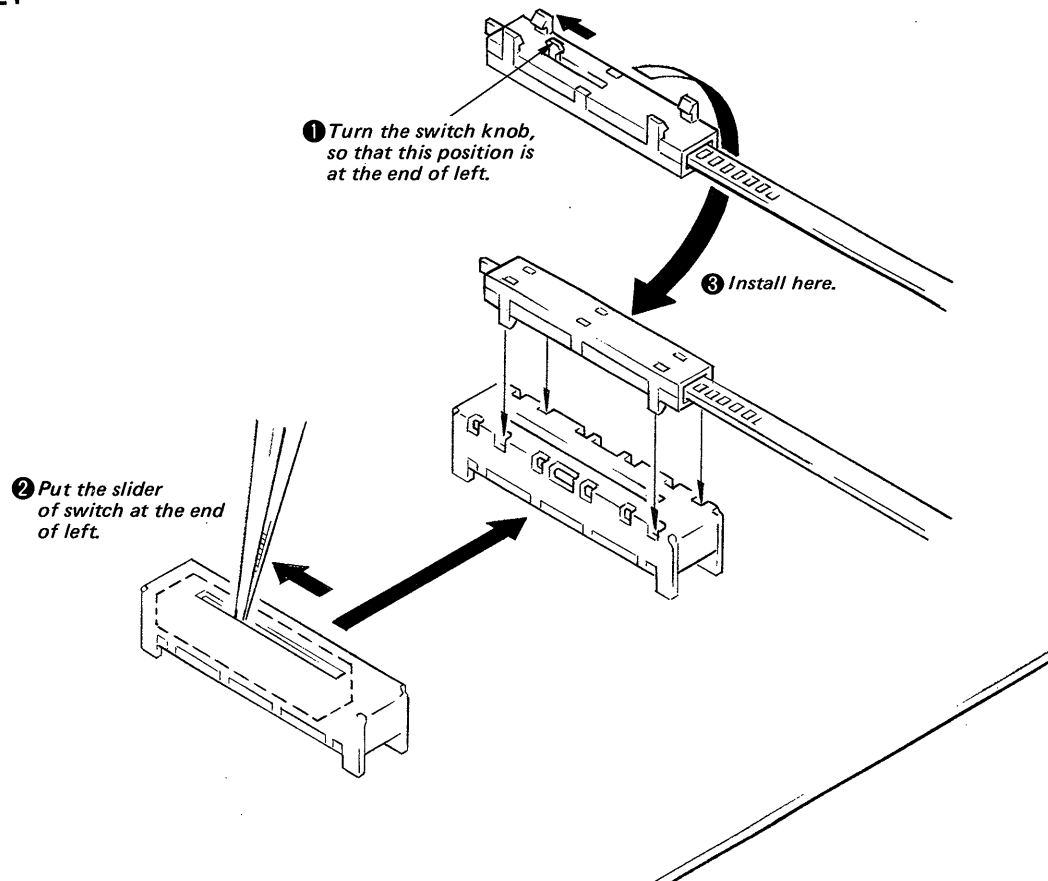
Note: Follow the assembly procedure in the numerical order given.

DISASSEMBLY

Insert in the screwdriver and remove the wiring as illustrated below
CAUTION: Don't pull the wiring. It causes the wiring damage.



ASSEMBLY



SECTION 1 ADJUSTMENTS

REVISED

TA-E77ESD Only

- The adjustments are required CD player having digital output followed to the DAI format (ex. CDP-552ESD or CDP-650ESD)

FS (Sampling frequency) Lamp Adjustment

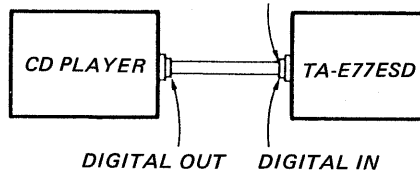
This set automatically perceives the sampling frequency of digital signal applied. The sampling frequency, 44kHz or 48kHz, is checked by comparator (IC711) that compares the voltage applied to VCO of D FIL PLL with the reference voltage.

The FS lamp adjustment is made to adjust this reference voltage.

Note: Wait for about 10 minutes when TH701 and C735 that are employed for thermal compensation are warmed by soldering iron.

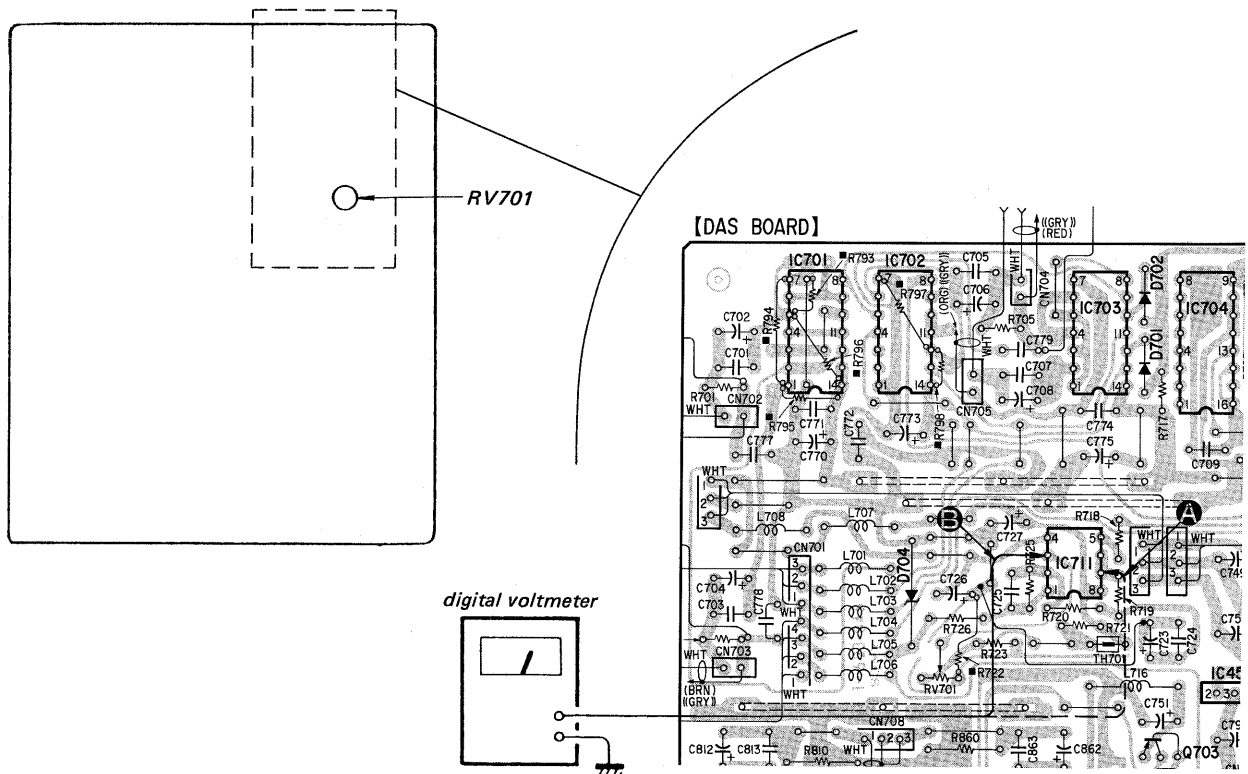
Procedure:

Sampling frequency: 44kHz.

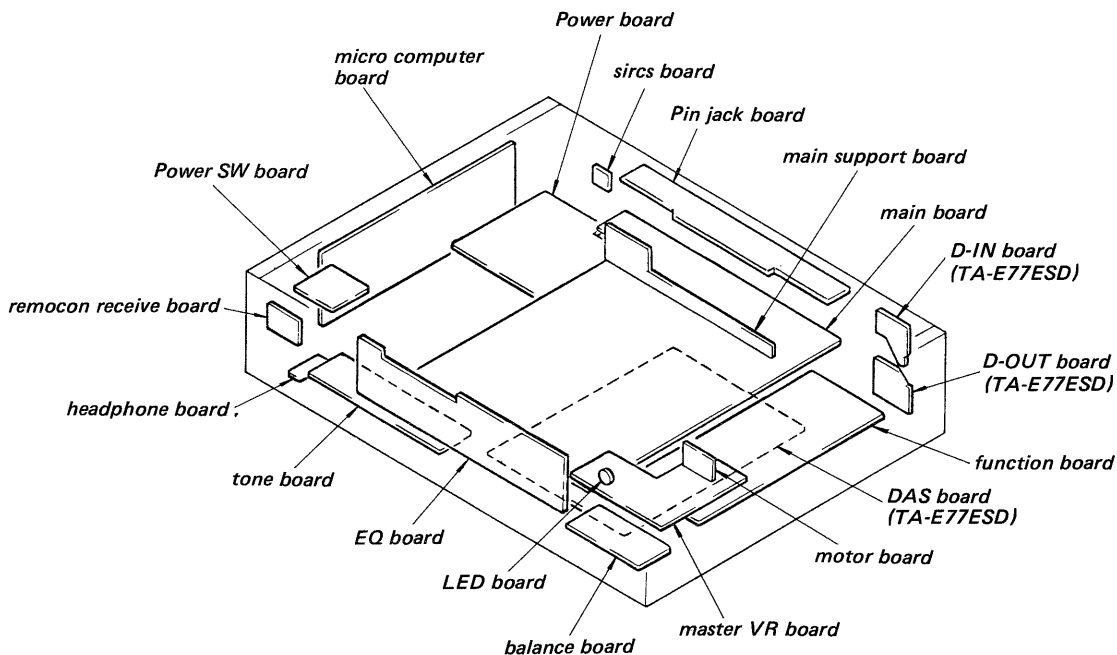


1. Play back any compact disc, receive the digital signal of sampling frequency 44kHz.
2. Turn on power switch in this set.
3. Make sure that 44kHz sampling frequency indicator lamp goes ON.
4. Adjust RV701 so that the difference in voltage between **A**, **B** is $135\text{mV} \pm 5\text{mV}$ measuring 30 seconds later after the power switch is turned ON.

Adjustment Location: DAS board



● CIRCUIT BOARDS LOCATION



● SEMICONDUCTOR LEAD LAYOUTS

	M5F7805 M5F78M12 NJM78M05FA NJM7812FA 	M54562P <p>(Top view)</p>	2SA1048-GR 2SA1345 2SA1348 2SC634SP 2SC3402 	2SK147 	30DF2
CX23065 	M4066BP MC74HC74N SN74LS624N TC4093BP TC74HC00P TC74HC04P TC74HC86P TC74HC393P <p>(Top view)</p>	NJM79M05FA NJM79M12FA 	2SA1138 2SC2676 	2SK244 	S2VB40 <p>Marking</p>
CXD1076P <p>(Top view)</p>	<p>(Top view)</p>	μPD75104WC-078 <p>(Top view)</p>	2SB548-R 2SC2682 	2SK246-GR2 2SK246-GR3 	SEL2210S-D
CXD1088Q 	M5209P M5220P NJM5532D-D TL072ACP <p>(Top view)</p>	2SA985-P 2SA1383 2SC2275A 2SC3514 	2SC945-P 	1SS132 10E2N HZ6A2L HZ6C2L HZ18-3 HZ22-2L 	SEL2213C
LA7220 M54566P MC14028BF MC74HC112N PCM56P-JS TC74HC123P <p>(Top view)</p>	M54543L 				SEL2510C

REVISED

SECTION 2
DIAGRAMS

TA-E77ES/E77ESD

TA-E77ES/E77ESD

REVISED

2-1. MOUNTING DIAGRAM (1)
— Conductor side —

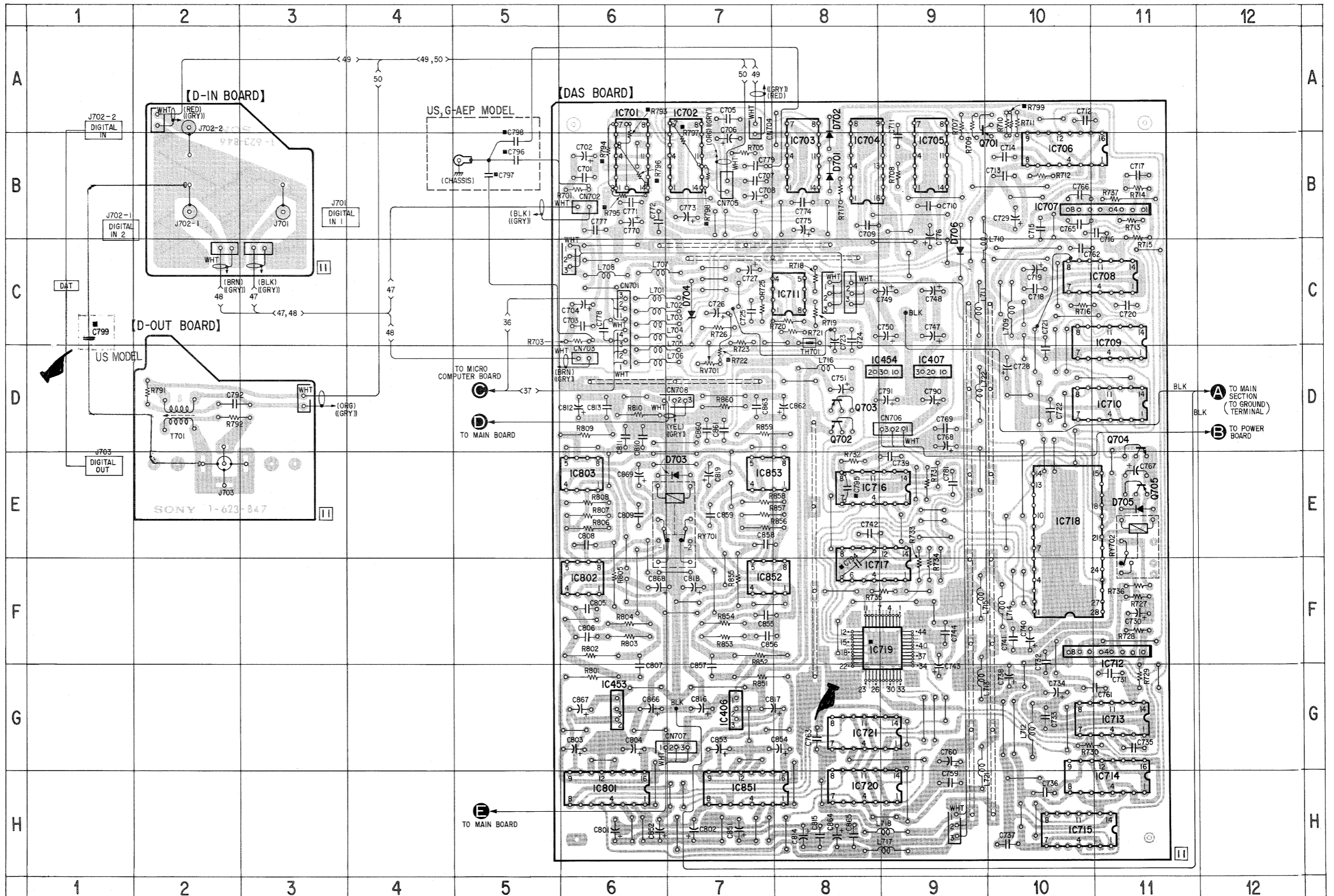
• See page 14 for circuit boards location.
• See page 14 for semiconductor lead layouts.

— D/A CONVERTER SECTION —
(TA-E77ESD ONLY)

— D/A CONVERTER SECTION —
(TA-E77ESD ONLY)

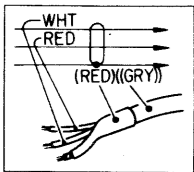
• SEMICONDUCTOR LOCATION

Ref. No.	Location	Ref. No.	Location
IC406	G-7	IC801	H-6
IC407	D-9	IC802	F-6
IC453	G-6	IC803	E-6
IC454	D-9	IC851	H-7
IC701	A-6	IC852	F-7
		IC853	E-7
IC702	A-7	Q701	B-10
IC703	B-8	Q702	D-8
IC704	B-8	Q703	D-8
IC705	B-9	Q704	D-11
IC706	B-10	Q705	E-11
IC707	B-10	D701	B-8
IC708	C-11	D702	A-8
IC709	C-11	D703	E-7
IC710	D-11	D704	C-7
IC711	C-8	D705	E-11
		D706	B-9
IC712	F-11		
IC713	G-11		
IC714	H-11		
IC715	H-10		
IC716	F-8		
IC717	F-8		
IC718	E-10		
IC719	F-9		
IC720	H-8		
IC721	G-8		



Note on Mounting Diagram (1):

- Color code of sleeving over the end of the jacket.



- ○ : parts extracted from the component side.
- ● : parts extracted from the conductor side.
- ■ : part mounted on the conductor side.

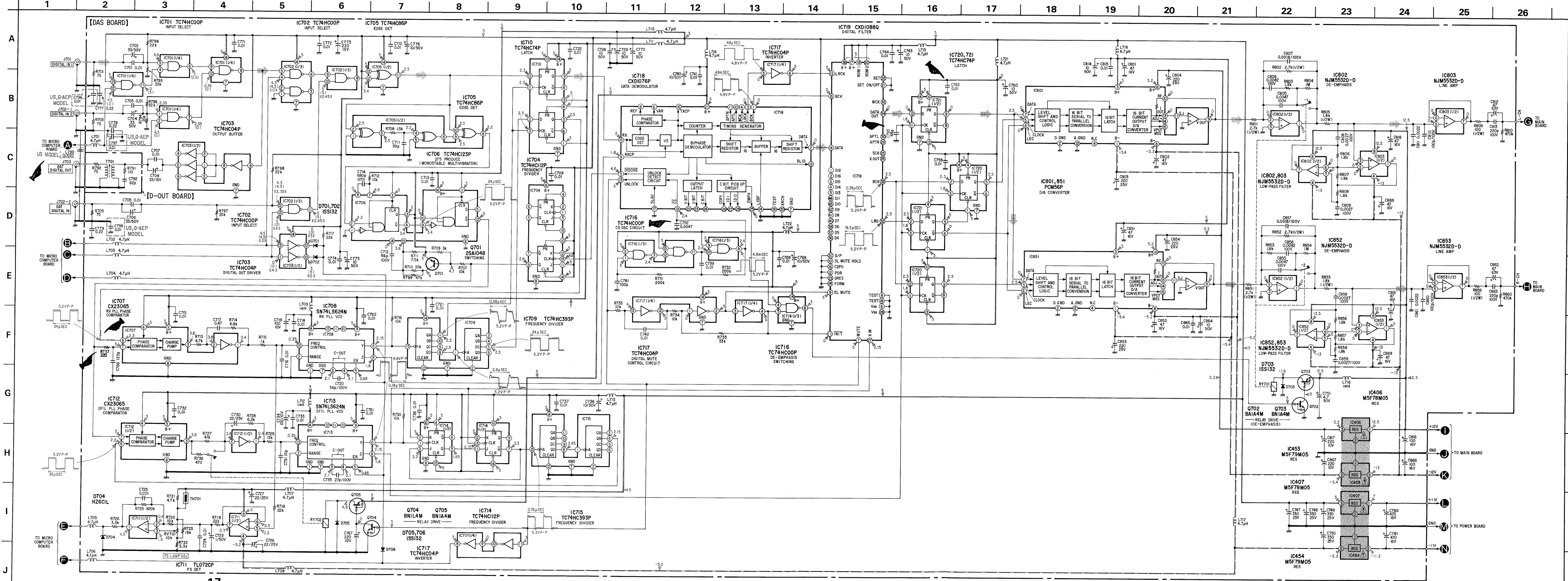
2-2. SCHEMATIC DIAGRAM (1)
- D/A CONVERTER SECTION -
(TA-E77ESD ONLY)

TA-E77ES/E77ESD TA-E77ES/E77ESD

- D/A CONVERTER SECTION -
(TA-E77ESD ONLY)

TA-E77ES/E77ESD TA-E77ES/E77ESD

- D/A CONVERTER SECTION -
(TA-E77ESD ONLY)



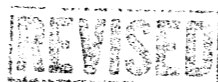
Note on Schematic Diagram (1):

- All capacitors are in μF unless otherwise noted. $\text{pF} = \mu\text{F} \times 10^{-6}$. 50 WV or less are not indicated except for electrolytics and tantalums.
- All resistors are in Ω and $\frac{1}{4}\text{W}$ or less unless otherwise specified.
- ⚡ : signal path.

Note: The components identified by shading and mark Δ are critical for safety. Replace only with part number specified.

Note: Les composants identifiés par une trame et une marque Δ sont critiques pour la sécurité. Ne les remplacer que par une pièce portant le numéro spécifié.

- : B+ bus.
- - - : B- bus.
- : adjustment for repair.
- ⊖ : Voltages are dc with respect to ground unless otherwise noted.
- Readings are taken under no-signal conditions with a VOM (50 $\text{k}\Omega/\text{V}$).
- No mark: DIGITAL 1 () : DIGITAL 2 (|) : DAT
- Voltage variations may be noted due to normal production tolerances.
- Waveforms are taken to ground in no-signal conditions by using oscilloscope.
- Voltage variations may be noted due to normal production tolerances.

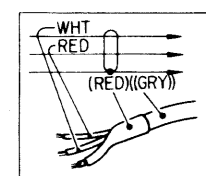


• SEMICONDUCTOR LOCATION

Ref. No.	Location	Ref. No.	Location	Ref. No.	Location
IC101	I-7	Q253	H-3	D609	E-27
IC201	G-2	Q254	H-3	D610	E-21
IC401	I-9	Q255	H-3	D611	G-30
IC402	H-10	Q401	J-10	D612	J-17
IC404	K-31	Q402	I-10	D613	J-17
IC405	K-30	Q451	I-7	D614	I-17
IC451	H-10	Q452	I-8	D615	I-17
IC501	B-19	Q501	A-19	D616	J-19
IC502	B-20	Q502	B-20	D617	J-19
IC601	C-28	Q503	B-20	D618	I-19
IC602	C-26	Q504	B-18	D619	I-19
IC603	F-26	Q601	C-26	D620	J-18
IC604	H-27	Q603	C-25	D621	J-18
IC605	I-27	Q604	B-25	D622	I-19
IC606	H-26	Q691	C-25	D623	I-19
IC607	D-12	Q692	B-25	D624	I-18
IC608	D-12	Q951	A-16	D625	I-18
IC609	F-13	Q952	A-16	D626	I-18
IC610	F-22	Q953	A-16	D627	I-18
IC611	I-24	Q954	A-17	D628	I-12
IC951	B-13	Q955	A-17	D629	I-12
IC952	B-16	Q956	A-17	D630	J-12
IC953	B-17			D631	J-12
				D632	I-12
				D633	I-12
Q101	F-8	D101	F-7	D634	I-22
Q103	F-8	D102	H-5	D635	I-22
Q104	F-9	D103	I-5	D636	J-22
Q105	G-9	D151	F-10	D637	J-22
Q106	G-9	D401	H-30	D638	I-22
Q107	F-7	D402	H-30	D639	I-22
Q108	G-7	D403	I-9	D640	I-17
Q109	G-9	D404	I-10	D641	I-17
Q110	F-7	D405	K-29	D642	I-20
Q151	F-10	D406	J-31	D643	I-20
Q153	F-10	D451	I-30	D644	I-20
Q154	F-9	D452	I-30	D645	D-20
Q155	G-9	D453	I-8	D650	B-27
Q156	F-11	D454	I-8	D651	C-27
Q157	F-11	D501	A-18	D652	F-27
Q158	G-11	D502	A-18	D691	C-26
Q159	G-9	D503	A-18		
Q160	G-10	D504	A-18		
Q201	F-1	D601	B-27		
Q202	F-1	D602	B-27		
Q203	H-1	D603	B-27		
Q204	H-1	D604	B-26		
Q205	H-1	D605	C-26		
Q251	F-3	D607	C-21		
Q252	F-3	D608	E-27		

Note on Mounting Diagram (2):

- Color code of sleeving over the end of the jacket.



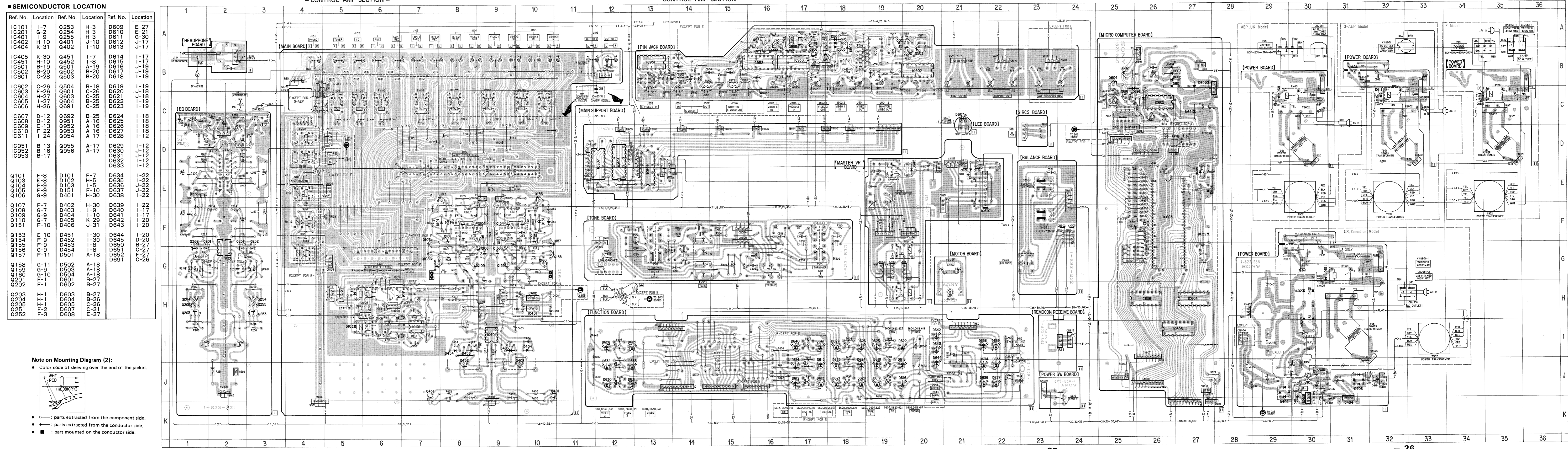
- : parts extracted from the component side.
- : parts extracted from the conductor side.
- : part mounted on the conductor side.

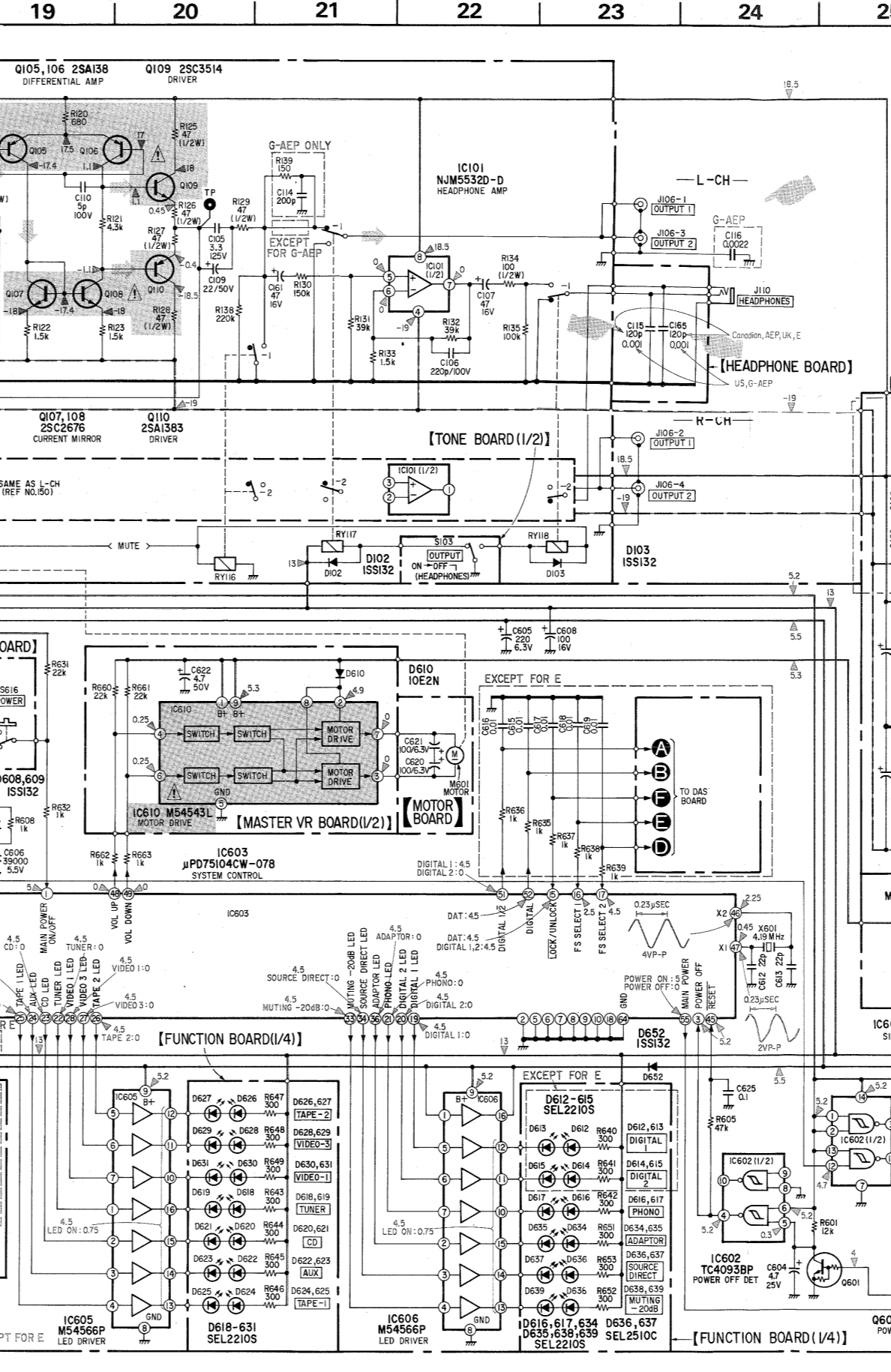
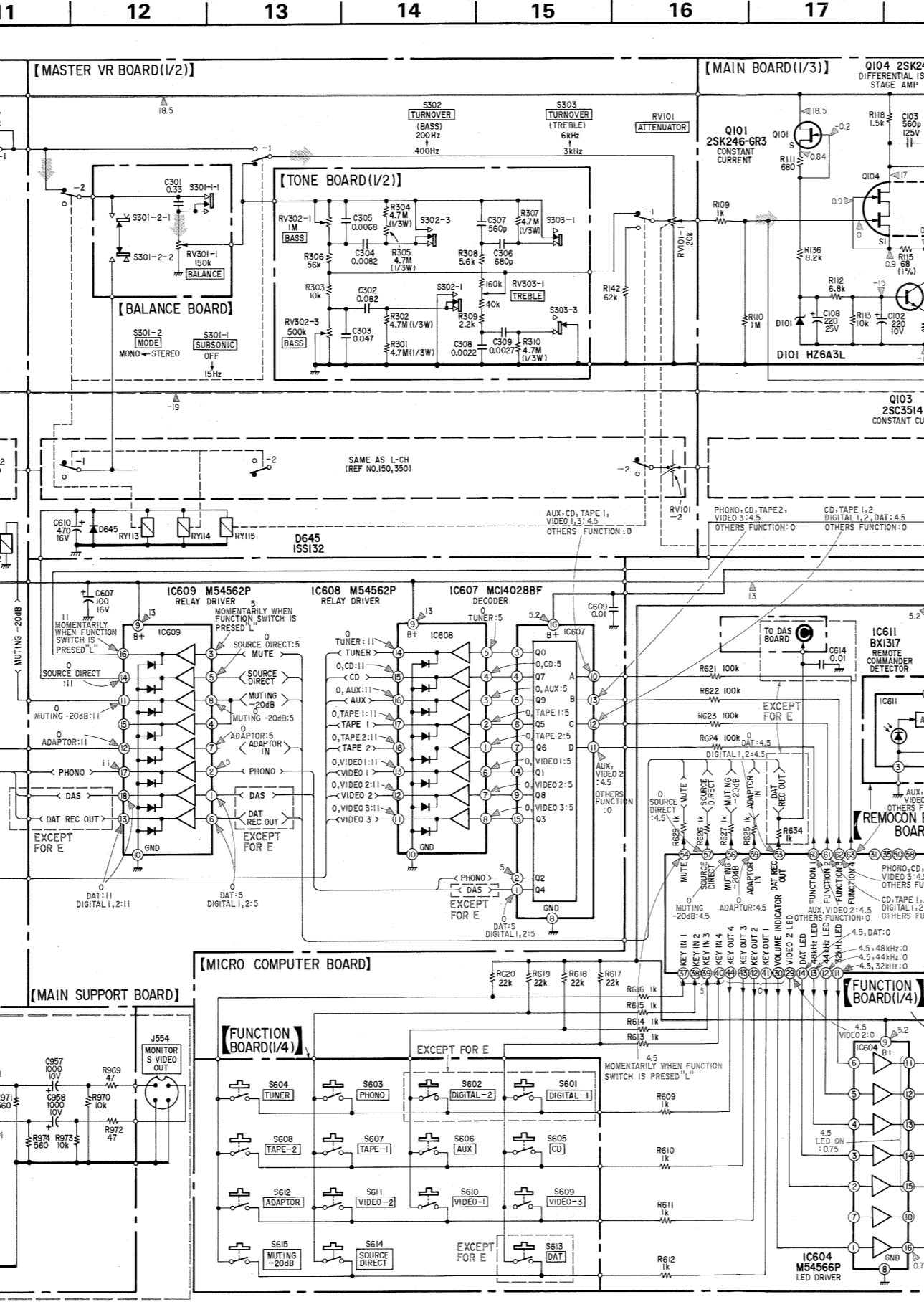
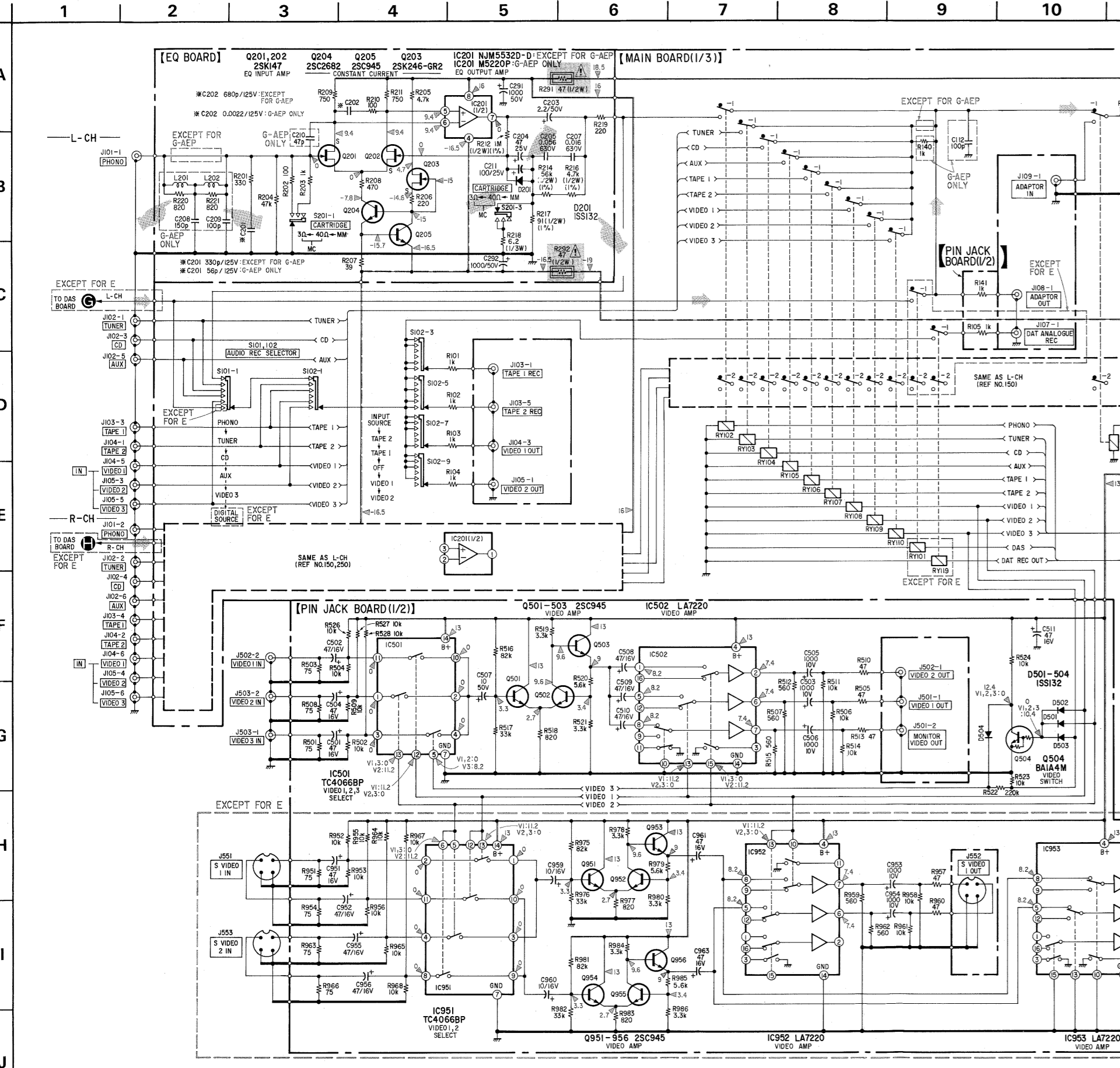
- CONTROL AMP SECTION -

- CONTROL AMP SECTION -

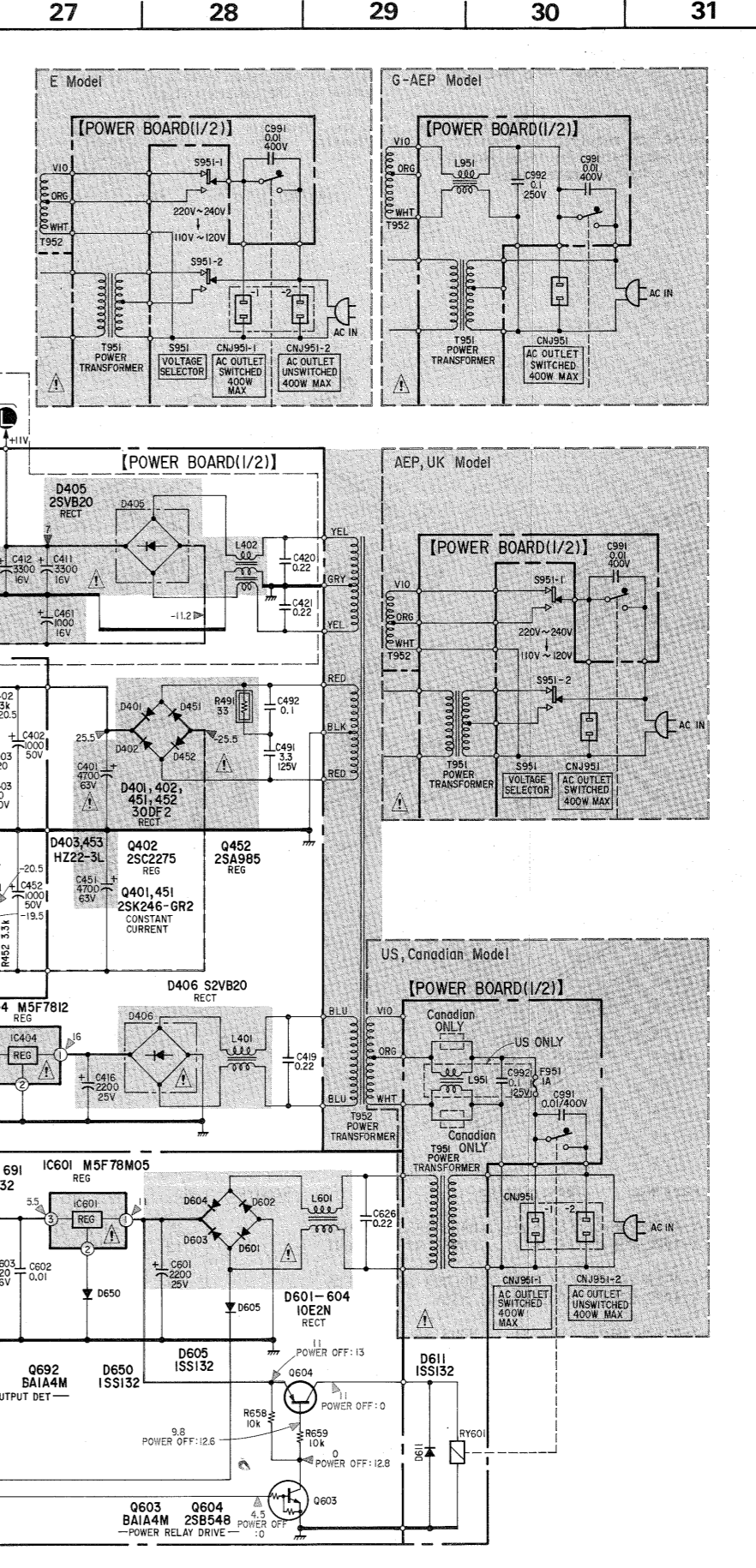
- CONTROL AMP SECTION -

- CONTROL AMP SECTION -





SEE ADDITIONAL INFORMATION



Note on Schematic Diagram (2):

- All capacitors are in μF unless otherwise noted. pF: μF 50 WV or less are not indicated except for electrolytics and tantalums.
- All resistors are in Ω and $\frac{1}{4}\text{W}$ or less unless otherwise specified.
- : signal path (DIGITAL).

Note: The components identified by shading and mark Δ are critical for safety. Replace only with part number specified.

Note: Les composants identifiés par une trame et une marque Δ sont critiques pour la sécurité. Ne les remplacer que par une pièce portant le numéro spécifié.

- Components for right channel have same values as for left channel. Reference numbers are coded from 150, 250, 350.
- % : indicates tolerance.
- : nonflammable resistor.
- Switch

Ref. No.	Switch	Position
S101	AUDIO REC SELECTOR	PHONO
S102	AUDIO REC SELECTOR	INPUT SOURCE
S103	OUTPUT	MM
S201	CARTRIDGE	OFF, STEREO
S301	SUBSONIC, MODE	OFF, STEREO
S302	TURNOVER (BASS)	400Hz
S303	TURNOVER (TREBLE)	3KHz
S601	DIGITAL-1	OFF
S602	DIGITAL-2	OFF
S603	PHONO	OFF
S604	TUNER	OFF
S605	CD	OFF
S606	AUX	OFF
S607	TAPE-1	OFF
S608	TAPE-2	OFF
S609	VIDEO-3	OFF
S610	VIDEO-1	OFF
S611	VIDEO-2	OFF
S612	ADAPTOR	OFF
S613	DAT	OFF
S614	SOURCE DIRECT	OFF
S615	MUTING -20dB	OFF
S616	POWER	OFF
S951	VOLTAGE SELECTOR	220V-240V

- : B+ bus.
- : B- bus.
- ⊖ : Voltages are dc with respect to ground unless otherwise noted.
- Readings are taken under no-signal conditions with a VOM (50 $\text{k}\Omega/\text{V}$). No mark: PHONO
- V1: VIDEO 1
- V2: VIDEO 2
- V3: VIDEO 3
- Voltage variations may be noted due to normal production tolerances.
- Waveforms are taken to ground in no-signal conditions by using oscilloscope.
- Voltage variations may be noted due to normal production tolerances.

SECTION 3 EXPLODED VIEWS AND PARTS LIST


NOTE:


- The mechanical parts with no reference number in the exploded views are not supplied.
- Items marked " * " are not stocked since they are seldom required for routine service. Some delay should be anticipated when ordering these items.

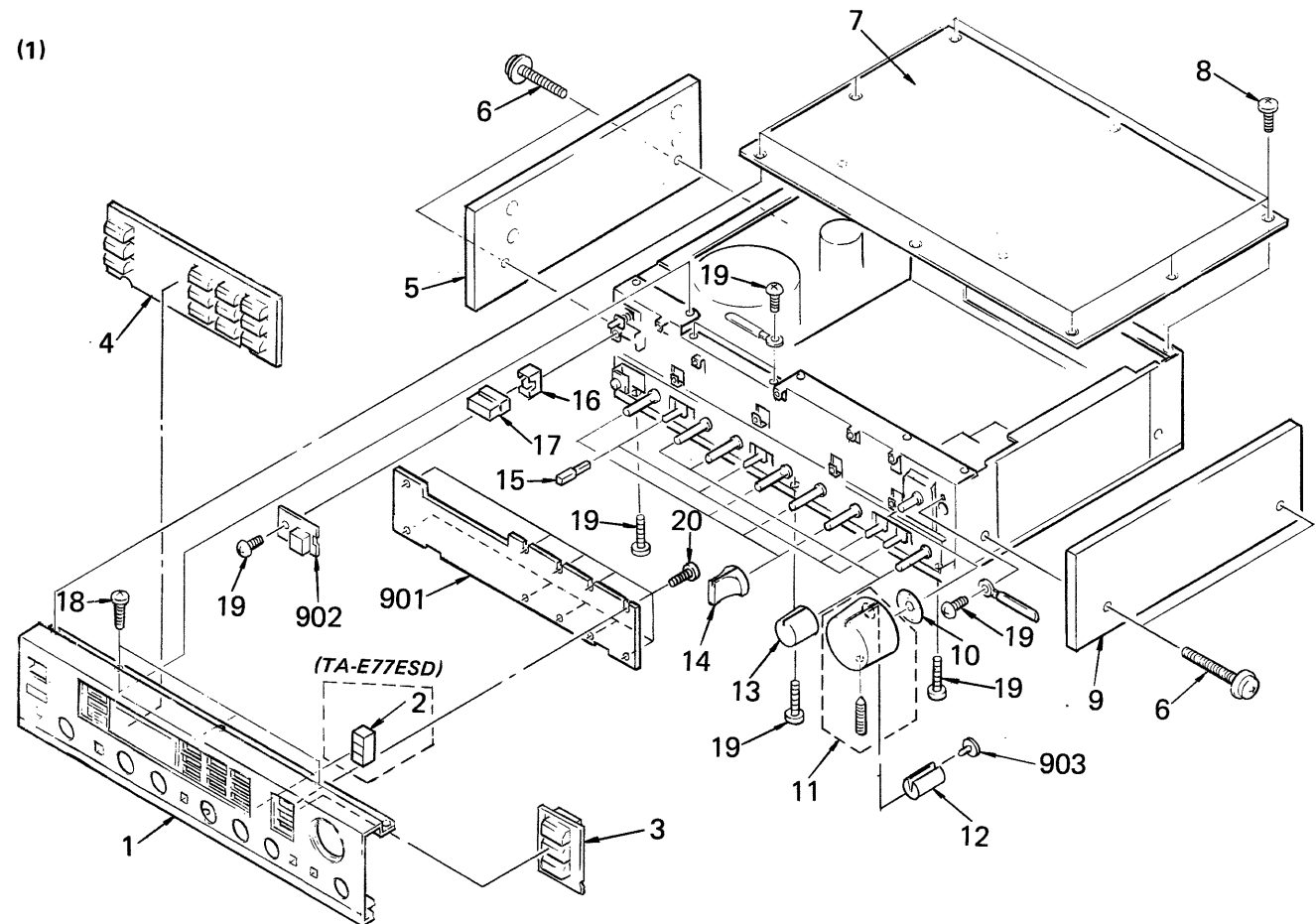
- The construction parts of an assembled part are indicated with a collation number in the remark column.

- Color Indication of Appearance Parts
Example: (RED) KNOB, BALANCE
(WHITE)

Cabinet's Color Parts' Color

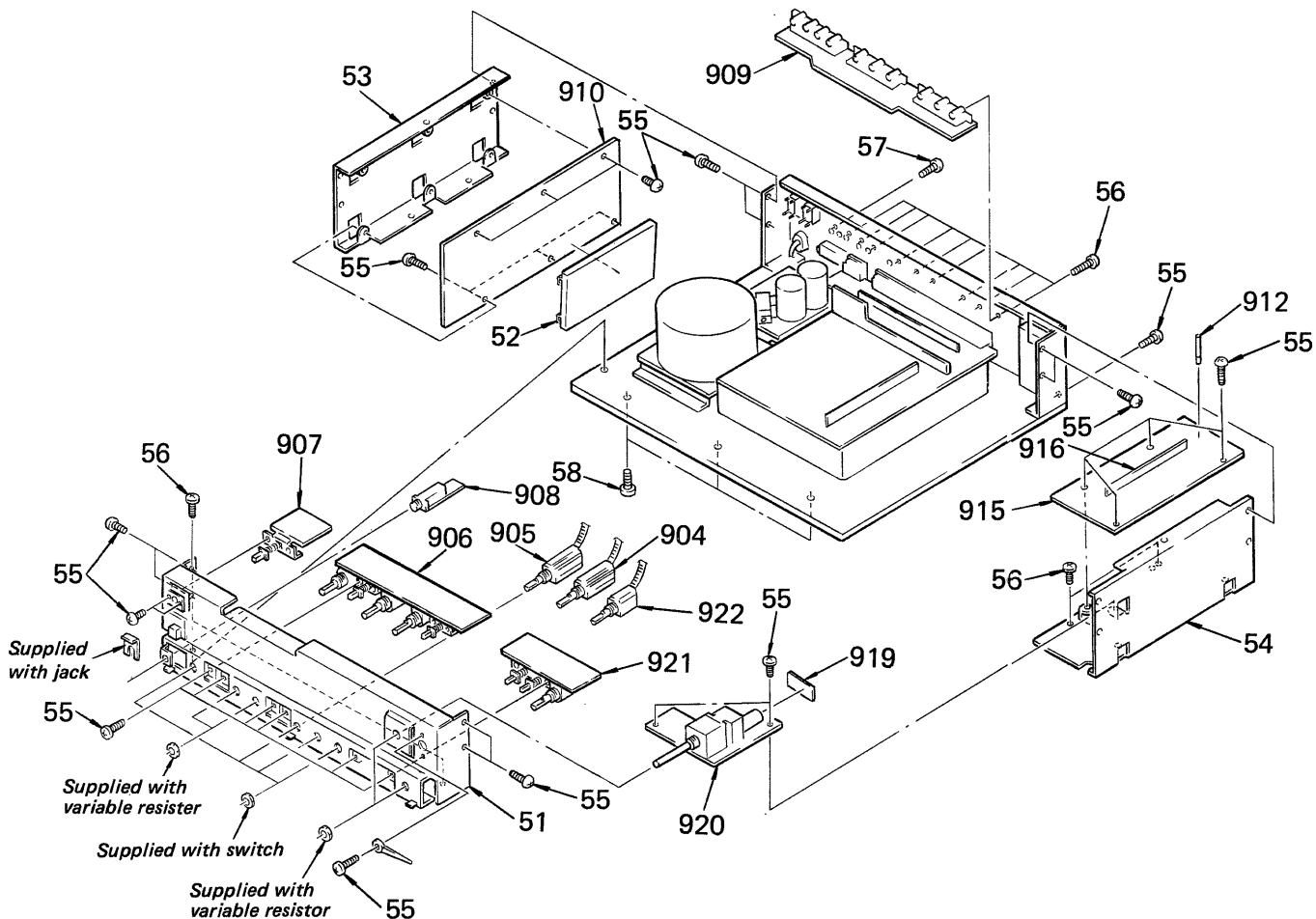
The components identified by shading and mark  are critical for safety. Replace only with part number specified.

Les composants identifiés par une trame et une marque  sont critiques pour la sécurité. Ne les remplacer que par une pièce portant le numéro spécifié.

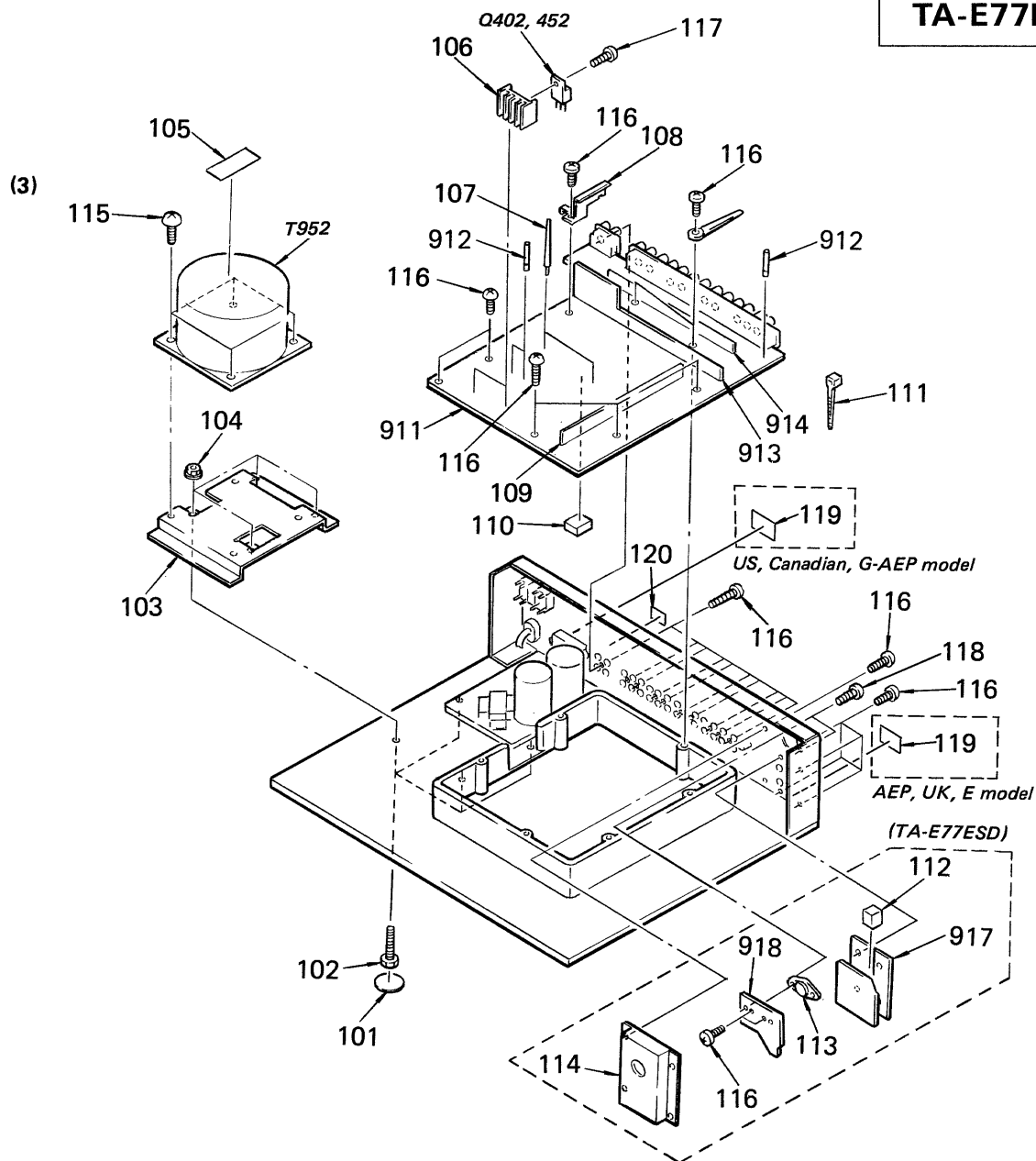


No.	Part No.	Description	Remarks	No.	Part No.	Description	Remarks
1	X-4922-208-1 X-4922-209-1	(E77ESD)...PANEL ASSY, FRONT (E77ES)...PANEL ASSY, FRONT		11	X-4922-201-1	KNOB ASSY	
2	*X-4922-203-1	(E77ESD)...HOLDER ASSY, LENS		12	*4-901-919-00	HOUSE, LED LAMP	
3	X-4922-202-1	HOUSING (A) ASSY		13	4-916-746-01	KNOB (DIA.21)	
4	X-4922-204-0 X-4922-205-1	(E77ES)...HOUSING (C) ASSY (E77ESD)...HOUSING (B) ASSY		14	4-916-745-01	KNOB (DIA.21)	
5	X-4922-206-2	PLATE (LEFT) ASSY, SIDE, ORNAMENTAL		15	4-855-804-11	KNOB, SQUARE	
6	4-885-979-11	SCREW (4X25)		16	*4-864-307-00	RING	
7	4-922-238-01	PLATE, TOP		17	4-908-046-01	KNOB, SQUARE	
8	4-921-439-01	SCREW (M3X8), FLAT HEAD		18	7-682-548-09	SCREW +B 3X8	
9	X-4922-207-2	PLATE (RIGHT) ASSY; SIDE, ORNAMENTAL		19	7-682-547-09	SCREW +BVT 3X6 (S)	
10	3-533-938-00	CLOTH		20	7-685-133-19	SCREW +BTP 2.6X6 TYPE 2 N-S	
				901	*1-623-841-11	PC BOARD, FUNCTION	
				902	*1-623-843-11	PC BOARD, REMOCON RECEIVE	
				903	*1-623-844-11	PC BOARD, LED	

(2)



No.	Part No.	Description	Remarks	No.	Part No.	Description	Remarks
51	*4-922-237-01	CHASSIS, FRONT		906	*1-623-833-11	PC BOARD, TONE	
52	*4-922-210-02	CASE (C), SHIELD		907	*1-623-842-11	PC BOARD, POWER SW	
53	*4-922-231-01	BRACKET, MICRO COMPUTER PCBOARD		908	*1-623-839-11	PC BOARD, HEADPHONE	
54	*4-922-230-01	BRACKET, EQ PC BOARD		909	*1-623-834-11	PC BOARD, PIN JACK	
55	7-682-547-09	SCREW +BVTT 3X6 (S)		910	*A-4375-333-A	(E77ESD)...MOUNTED PCB, MICRO COMPUTER	
56	7-685-647-79	SCREW +BVTP 3X10 TYPE2			*A-4375-334-A	(E77ES)...MOUNTED PCB, MICRO COMPUTER	
57	7-685-647-79	(E77ESD)...SCREW +BVTT 3X10 TYPE2		912	*1-535-492-00	PIN, GT	
	7-685-871-09	(E77ES)...SCREW +BVTT 3X6 (S)		915	*1-623-831-11	PC BOARD, EQ	
58	7-685-873-09	SCREW +BVTT 3X10 (S)		916	*1-560-242-21	BUS BAR 4P	
904	1-571-246-11	SWITCH, ROTARY		919	*1-623-837-11	PC BOARD, MOTOR	
905	1-571-245-11	(E77ESD)...SWITCH, ROTARY (REMOTE)		920	*1-623-836-11	PC BOARD, MASTER VR	
	1-571-247-11	(E77ES)...SWITCH, ROTARY (REMOTE)		921	*1-623-832-11	PC BOARD, BALANCE	
				922	1-571-244-11	SWITCH, ROTARY (REMOTE)	



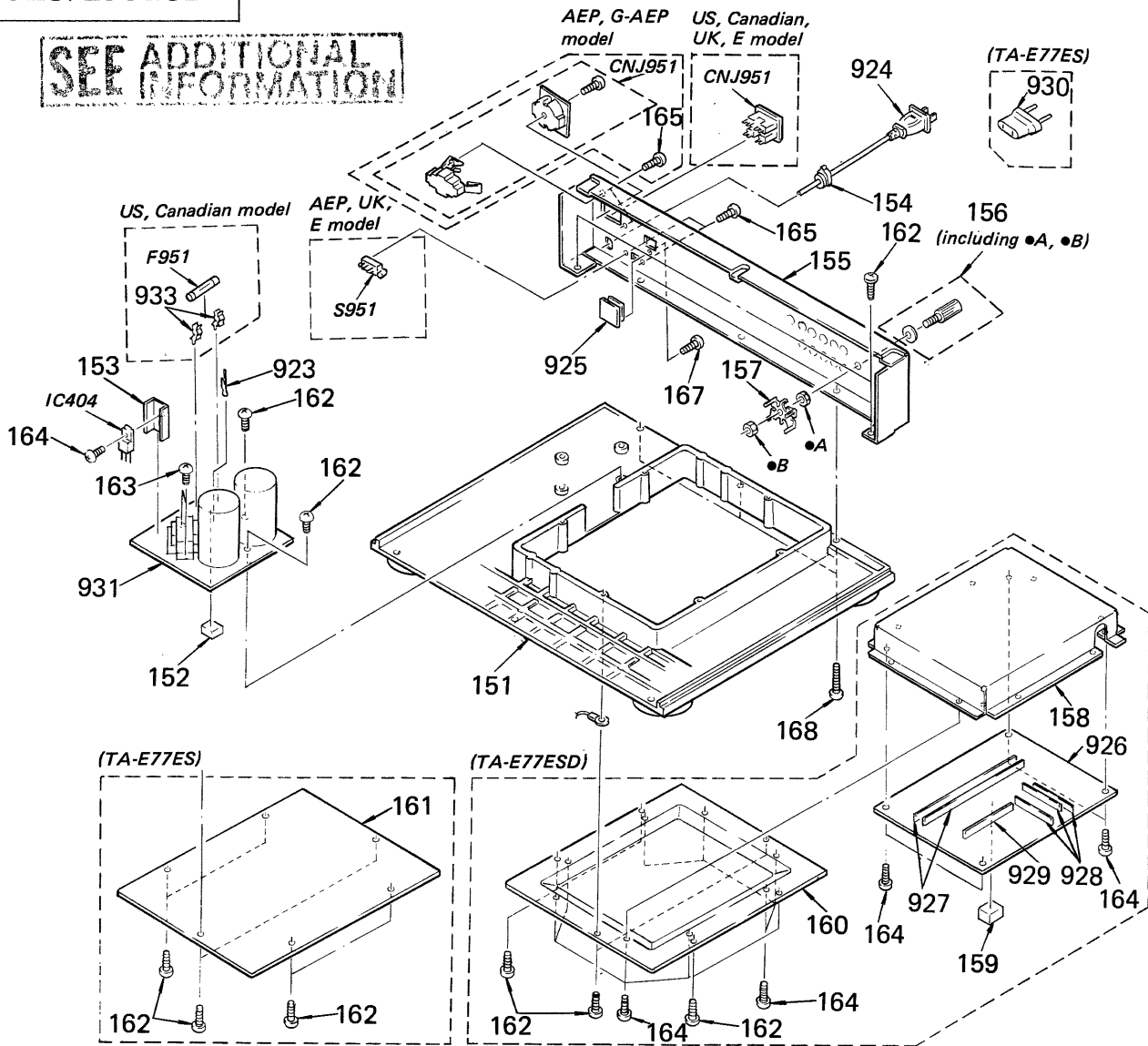
The components identified by shading and mark Δ are critical for safety. Replace only with part number specified.

Les composants identifiés par une trame et une marque Δ sont critiques pour la sécurité. Ne les remplacer que par une pièce portant le numéro spécifié.

No.	Part No.	Description	Remarks	No.	Part No.	Description	Remarks
101	*4-908-892-01	SPACER		119	*4-922-203-01	(UK).....LABEL, MODEL NUMBER	
102	7-683-325-07	BOLT, HEXAGON 4X20			*4-922-204-01	(E77ES).....LABEL, MODEL NUMBER(E2/3)	
103	4-922-236-01	BRACKET, TRANSFORMER			*4-922-205-01	(US,Canadian)...LABEL, MODEL NUMBER(U/CA)	
104	4-908-881-01	NUT (M4), FLANGE			*4-922-206-01	(AEP).....LABEL, MODEL NUMBER(AE1)	
105	*4-908-885-01	LABEL, TRANSFORMER			*4-922-206-11	(AEP).....LABEL, MODEL NUMBER(AE2)	
106	*4-921-402-01	HEAT SINK			*4-922-208-02	(G-AEP).....LABEL, MODEL NUMBER	
107	*3-683-631-01	CLAMP		120	3-550-458-01	(E77ES)...LABEL, CAUTION, POWER SELECTOR	
108	*4-922-246-01	REINFORCEMENT		911	*A-4358-192-A	(US,Canadian,AEP,UK)...MOUNTED PCB, MAIN	
109	*4-908-950-01	REINFORCEMENT (A), PWB			*A-4358-193-A	(E).....MOUNTED PCB, MAIN	
110	*4-921-410-11	(E77ESD)...CUSHION			*A-4358-196-A	(G-AEP)...MOUNTED PCB, MAIN	
	*4-921-410-41	(E77ES)...CUSHION		912	*1-535-492-00	PIN, GT	
111	3-655-653-21	BAND (TAITON), BINDING		913	*1-623-835-11	PC BOARD, MAIN SUPPORT	
112	*4-922-211-01	(E77ESD)...SPACER, PC BOARD		914	*1-560-242-41	BUS BAR 11P	
113	*4-913-152-01	ESCUTCHEON, D/O		917	*1-623-846-11	(E77ESD)...PC BOARD, D-IN	
114	*4-922-213-01	CASE (B), SHIELD		918	*1-623-847-11	(E77ESD)...PC BOARD, D-OUT	
115	7-685-760-09	SCREW +BVTT 4X6 (S)		Q402	8-729-107-53	TRANSISTOR 2SC2275A	
116	7-685-647-79	SCREW +BVTP 3X10 TYPE2		Q452	8-729-118-53	TRANSISTOR 2SA985-P	
117	7-682-548-09	SCREW +B 3X8		T952	A 1-449-014-11	TRANSFORMER, POWER	
118	7-682-547-09	SCREW +BVTT 3X6 (S)					

SEE ADDITIONAL INFORMATION

(4)



The components identified by shading and mark **A** are critical for safety. Replace only with part number specified.

Les composants identifiés par une trame et une marque **A** sont critiques pour la sécurité. Ne les remplacer que par une pièce portant le numéro spécifié.

No.	Part No.	Description	Remarks
151	X-4922-210-1	CHASSIS ASSY, MAIN	
152	*4-921-410-31	CUSHION	
153	*3-309-144-01	HEAT SINK	
154	4-916-783-01	BUSHING, CORD	
155	*4-922-240-01	(AEP,G-AEP)...PANEL, BACK	
	*4-922-241-01	(UK).....PANEL, BACK	
	*4-922-242-01	(E).....PANEL, BACK	
	*4-922-239-01	(US,Canadian)...PANEL, BACK	
156	X-4854-207-0	TERMINAL ASSY, GROUND	
157	*4-916-769-01	PLATE, GROUND, 4P	
158	*4-922-233-01	CASE (A), SHIELD	
159	*4-921-410-11	(E77ESD)...CUSHION	
160	*4-922-232-01	(E77ESD)...LID, BOTTOM	
161	*4-922-227-01	(E77ES)...LID, BOTTOM	
162	7-685-647-79	SCREW +BVTP 3X10 TYPE2 SLIT	
163	7-685-649-79	SCREW +BVTP 3X14 TYPE2 SLIT	
164	7-682-547-09	SCREW +BVTT 3X6 (S)	
165	7-682-547-09	(AEP,G-AEP)...SCREW +B 3X6	
166	7-685-134-19	(AEP,UK,E)...SCREW +BTP 2.6X8 TYPE2 N-S	
167	7-685-133-19	SCREW +P 2.6X6 TYPE2 NON-SLIT	
168	7-685-876-09	SCREW +BVTT 3X16 (S)	

No.	Part No.	Description	Remarks
923	1-535-416-00	TERMINAL	
924	A.1-559-271-11	(AEP,G-AEP)...CORD, POWER	
	A.1-559-272-11	(UK).....CORD, POWER	
	A.1-559-297-11	(E).....CORD, POWER	
	A.1-559-479-11	(US,Canadian)...CORD, POWER	
925	*	PC BOARD, SIRCS	
926	*A-4375-336-A	(E77ESD)...MOUNTED PCB, DAS	
927	*1-560-242-51	(E77ESD)...BUS BAR 7P	
928	*1-560-242-11	(E77ESD)...BUS BAR 3P	
929	*1-560-242-21	BUS BAR 4P	
930	A.1-526-565-12	(E77ES)...AC PLUG ADAPTOR	
931	*1-623-838-11	PC BOARD, POWER	
933	1-533-183-11	(US,Canadian)...HOLDER, FUSE	
	CNJ951A1-526-751-00	(UK).....OUTLET, AC	
	CNJ951A1-526-883-00	(US,Canadian,E)...OUTLET, AC	
	CNJ951A1-526-988-11	(AEP,G-AEP)...OUTLET, AC (CEE)	
	F951 A.1-532-740-11	(US,Canadian)...FUSE, GLASS TUBE (1A)	
	IC404A 8-759-701-79	IC NJM7812FA	
	S951 A.1-570-046-21	(AEP,UK,E)...SWITCH, VOLTAGE CHANGE (VOLTAGE SELECTOR)	

SECTION 4 ELECTRICAL PARTS LIST

NOTE:

• Items marked " * " are not stocked since they are seldom required for routine service. Some delay should be anticipated when ordering these items.

• If there are two or more same circuits in a set such as a stereophonic machine, only typical circuit parts may be indicated and capacitors and resistors in other same circuits may be omitted.

CAPACITORS:
MF:µF, PF:µµF.

RESISTORS
• All resistors are in ohms.
• F : nonflammable

COILS
• MMH : mH, UH : µH

SEMICONDUCTORS
In each case, U : µ, for example:
UA....: µA..., UPA....: µPA..., UPC....: µPC,
UPD....: µPD....

The components identified by shading and mark Δ are critical for safety. Replace only with part number specified.

Les composants identifiés par une trame et une marque Δ sont critiques pour la sécurité. Ne les remplacer que par une pièce portant le numéro spécifié.

ELECTRICAL PARTS

Ref.No.	Part No.	Description
901	*1-623-841-11	PC BOARD, FUNCTION
902	*1-623-843-11	PC BOARD, REMOCON RECEIVE
903	*1-623-844-11	PC BOARD, LED
904	1-571-246-11	SWITCH, ROTARY
905	1-571-245-11	(E77ESD)...SWITCH, ROTARY (REMOTE)
	1-571-247-11	(E77ES)...SWITCH, ROTARY (REMOTE)
906	*1-623-833-11	PC BOARD, TONE
907	*1-623-842-11	PC BOARD, POWER SW
908	*1-623-839-11	PC BOARD, HEADPHONE
909	*1-623-834-11	PC BOARD, PIN JACK
910	*A-4375-333-A	(E77ESD)...MOUNTED PCB, MICRO COMPUTER
	*A-4375-334-A	(E77ES)...MOUNTED PCB, MICRO COMPUTER
911	*A-4358-192-A	(US,Canadian,AEP,UK)..MOUNTED PCB, MAIN
	*A-4358-193-A	(E).....MOUNTED PCB, MAIN
	*A-4358-196-A	(G-AEP).....MOUNTED PCB, MAIN
912	*1-535-492-00	PIN, GT
913	*1-623-835-11	PC BOARD, MAIN SUPPORT
914	*1-560-242-41	BUS BAR 11P
915	*1-623-831-11	PC BOARD, EQ
916	*1-560-242-21	BUS BAR 4P
917	*1-623-846-11	(E77ESD)...PC BOARD, D-IN
918	*1-623-847-11	(E77ESD)...PC BOARD, D-OUT
919	*1-623-837-11	PC BOARD, MOTOR
920	*1-623-836-11	PC BOARD, MASTER VR
921	*1-623-832-11	PC BOARD, BALANCE
922	1-571-244-11	SWITCH, ROTARY (REMOTE)
923	1-535-416-00	TERMINAL
924	Δ 1-559-271-11	(AEP,G-AEP)....CORD, POWER
	Δ 1-559-272-11	(UK).....CORD, POWER
	Δ 1-559-297-11	(E).....CORD, POWER
	Δ 1-559-479-11	(US,Canadian)...CORD, POWER
925	*	PC BOARD, SIRCS
926	*A-4375-336-A	(E77ESD)...MOUNTED PCB, DAS
927	*1-560-242-51	(E77ESD)...BUS BAR 7P
928	*1-560-242-11	(E77ESD)...BUS BAR 3P
929	*1-560-242-21	BUS BAR 4P
930	Δ 1-526-565-12	(E77ES)...AC PLUG ADAPTOR
931	*1-623-838-11	PC BOARD, POWER
933	1-533-183-11	(US,Canadian)...HOLDER, FUSE
C102	1-124-124-00	ELECT 220MF 20% 10V
C103	1-104-254-11	POLYSTYRENE 560PF 5% 125V
C104	1-107-210-00	MICA 22PF 5% 100V
C105	1-130-673-00	FILM 3.3MF 10% 125V
C106	1-109-621-00	MICA 220PF 5% 100V
C107	1-124-684-71	ELECT 47MF 20% 16V

ELECTRICAL PARTS

Ref.No.	Part No.	Description
C108	1-123-334-00	ELECT 220MF 20% 25V
C109	1-123-357-00	ELECT 22MF 20% 50V
C110	1-107-026-00	MICA 5PF 0.5PF 100V
C111	1-124-684-71	ELECT 47MF 20% 16V
C112	1-102-973-00	(G-AEP)...CERAMIC 100PF 5% 50V
C113	1-102-959-00	(G-AEP)...CERAMIC 22PF 5% 50V
C114	1-102-977-00	(G-AEP)...CERAMIC 200PF 5% 50V
C115	1-162-283-31	CERAMIC 120PF 10% 50V
C152	1-124-124-00	ELECT 220MF 20% 10V
C153	1-104-254-11	POLYSTYRENE 560PF 5% 125V
C154	1-107-210-00	MICA 22PF 5% 100V
C155	1-130-673-00	FILM 3.3MF 10% 125V
C156	1-109-621-00	MICA 220PF 5% 100V
C157	1-124-684-71	ELECT 47MF 20% 16V
C158	1-123-334-00	ELECT 220MF 20% 25V
C159	1-123-357-00	ELECT 22MF 20% 50V
C160	1-107-026-00	MICA 5PF 0.5PF 100V
C161	1-124-684-71	ELECT 47MF 20% 16V
C162	1-102-973-00	(G-AEP)...CERAMIC 100PF 5% 50V
C163	1-102-959-00	(G-AEP)...CERAMIC 22PF 5% 50V
C164	1-102-977-00	(G-AEP)...CERAMIC 200PF 5% 50V
C165	1-162-283-31	CERAMIC 120PF 10% 50V
C201	1-104-243-00	(G-AEP)...POLYSTYRENE 56PF 10% 125V
C201	1-104-249-11	(E).....POLYSTYRENE 330PF 5% 125V
C202	1-104-150-00	(E).....POLYSTYRENE 680PF 5% 125V
C202	1-104-151-00	(G-AEP)...POLYSTYRENE 2200PF 5% 125V
C203	1-123-381-00	ELECT 2.2MF 20% 50V
C204	1-123-332-00	ELECT 47MF 20% 25V
C205	1-129-723-00	FILM 0.056MF 2% 630V
C207	1-130-206-00	FILM 0.016MF 2% 630V
C208	1-101-361-00	(G-AEP)...CERAMIC 150PF 5% 50V
C209	1-102-973-00	(G-AEP)...CERAMIC 100PF 5% 50V
C210	1-101-880-00	(G-AEP)...CERAMIC 47PF 5% 50V
C251	1-104-243-00	(G-AEP)...POLYSTYRENE 56PF 10% 125V
C251	1-104-249-11	(E).....POLYSTYRENE 330PF 5% 125V
C252	1-104-150-00	(E).....POLYSTYRENE 680PF 5% 125V
C252	1-104-151-00	(G-AEP)...POLYSTYRENE 2200PF 5% 125V
C253	1-123-381-00	ELECT 2.2MF 20% 50V
C254	1-123-332-00	ELECT 47MF 20% 25V
C255	1-129-723-00	FILM 0.056MF 2% 630V
C257	1-130-206-00	FILM 0.016MF 2% 630V
C258	1-101-361-00	(G-AEP)...CERAMIC 150PF 5% 50V
C259	1-102-973-00	(G-AEP)...CERAMIC 100PF 5% 50V
C260	1-101-880-00	(G-AEP)...CERAMIC 47PF 5% 50V
C291	1-124-622-11	ELECT 1000MF 20% 50V
C292	1-124-622-11	ELECT 1000MF 20% 50V

ELECTRICAL PARTS

Ref.No.	Part No.	Description				
C301	1-136-171-00	FILM	0.33MF	5%	50V	
C302	1-136-164-00	FILM	0.082MF	5%	50V	
C303	1-136-161-00	FILM	0.047MF	5%	50V	
C304	1-130-482-00	MYLAR	0.0082MF	5%	50V	
C305	1-130-481-00	MYLAR	0.0068MF	5%	50V	
C306	1-130-469-00	MYLAR	680PF	5%	50V	
C307	1-130-468-00	MYLAR	560PF	5%	50V	
C308	1-130-475-00	MYLAR	0.0022MF	5%	50V	
C309	1-130-476-00	MYLAR	0.0027MF	5%	50V	
C351	1-136-171-00	FILM	0.33MF	5%	50V	
C352	1-136-164-00	FILM	0.082MF	5%	50V	
C353	1-136-161-00	FILM	0.047MF	5%	50V	
C354	1-130-482-00	MYLAR	0.0082MF	5%	50V	
C355	1-130-481-00	MYLAR	0.0068MF	5%	50V	
C356	1-130-469-00	MYLAR	680PF	5%	50V	
C357	1-130-468-00	MYLAR	560PF	5%	50V	
C358	1-130-475-00	MYLAR	0.0022MF	5%	50V	
C359	1-130-476-00	MYLAR	0.0027MF	5%	50V	
C401	1-125-431-11	ELECT (BLOCK)	4700MF	20%	63V	
C402	1-124-622-11	ELECT	1000MF	20%	50V	
C403	1-123-356-00	ELECT	10MF	20%	50V	
C404	1-124-725-00	ELECT	100MF	20%	50V	
C405	1-123-378-00	ELECT	1000MF	20%	63V	
C408	1-123-334-00	(E77ESD)...ELECT	220MF	20%	25V	
C410	1-123-332-00	(E77ESD)...ELECT	47MF	20%	25V	
C411	1-124-887-00	(E77ESD)...ELECT	3300MF	20%	16V	
C412	1-124-887-00	(E77ESD)...ELECT	3300MF	20%	16V	
C416	1-124-563-11	ELECT	2200MF	20%	25V	
C417	1-123-321-00	ELECT	220MF	20%	16V	
C418	1-123-333-00	ELECT	100MF	20%	16V	
C419	1-136-169-00	FILM	0.22MF	5%	50V	
C420	1-136-169-00	(E77ESD)...FILM	0.22MF	5%	50V	
C421	1-136-169-00	(E77ESD)...FILM	0.22MF	5%	50V	
C451	1-125-431-11	ELECT (BLOCK)	4700MF	20%	63V	
C452	1-124-622-11	ELECT	1000MF	20%	50V	
C453	1-123-356-00	ELECT	10MF	20%	50V	
C454	1-124-725-00	ELECT	100MF	20%	50V	
C455	1-123-378-00	ELECT	1000MF	20%	63V	
C458	1-123-334-00	(E77ESD)...ELECT	220MF	20%	25V	
C460	1-123-332-00	(E77ESD)...ELECT	47MF	20%	25V	
C461	1-123-324-00	(E77ESD)...ELECT	1000MF	20%	16V	
C491	1-130-673-00	FILM	3.3MF	10%	125V	
C492	1-136-165-00	FILM	0.1MF	5%	50V	
C501	1-123-332-00	(E77ES)...ELECT	47MF	20%	16V	
C501	1-124-477-11	(E77ESD)...ELECT	47MF	20%	16V	
C502	1-123-332-00	(E77ES)...ELECT	47MF	20%	16V	
C502	1-124-477-11	(E77ESD)...ELECT	47MF	20%	16V	
C503	1-124-473-11	(E77ESD)...ELECT	1000MF	20%	10V	
C503	1-124-559-51	(E77ES)...ELECT	1000MF	20%	10V	
C504	1-123-332-00	(E77ES)...ELECT	47MF	20%	16V	
C504	1-124-477-11	(E77ESD)...ELECT	47MF	20%	16V	
C505	1-124-473-11	(E77ESD)...ELECT	1000MF	20%	10V	
C505	1-124-559-51	(E77ES)...ELECT	1000MF	20%	10V	
C506	1-124-473-11	(E77ESD)...ELECT	1000MF	20%	10V	
C506	1-124-559-51	(E77ES)...ELECT	1000MF	20%	10V	
C507	1-123-875-11	ELECT	10MF	20%	50V	

ELECTRICAL PARTS

Ref.No.	Part No.	Description				
C508	1-123-332-00	(E77ES)...ELECT	47MF	20%	16V	
C508	1-124-477-11	(E77ESD)...ELECT	47MF	20%	16V	
C509	1-123-332-00	(E77ES)...ELECT	47MF	20%	16V	
C509	1-124-477-11	(E77ESD)...ELECT	47MF	20%	16V	
C510	1-123-332-00	(E77ES)...ELECT	47MF	20%	16V	
C510	1-124-477-11	(E77ESD)...ELECT	47MF	20%	16V	
C511	1-123-332-00	(E77ES)...ELECT	47MF	20%	16V	
C511	1-124-477-11	(E77ESD)...ELECT	47MF	20%	16V	
C601	1-123-338-00	ELECT	2200MF	20%	25V	
C602	1-136-153-00	FILM	0.01MF	5%	50V	
C603	1-123-321-00	ELECT	220MF	20%	16V	
C604	1-123-369-00	ELECT	4.7MF	20%	25V	
C605	1-124-124-00	ELECT	220MF	20%	6.3V	
C606	1-124-958-11	ELECT	39000MF		5.5V	
C607	1-123-333-00	ELECT	100MF	20%	16V	
C608	1-123-333-00	ELECT	100MF	20%	16V	
C609	1-136-153-00	FILM	0.01MF	5%	50V	
C610	1-123-323-00	ELECT	470MF	20%	16V	
C611	1-123-332-00	ELECT	47MF	20%	16V	
C612	1-162-207-31	CERAMIC	22PF	5%	50V	
C613	1-162-207-31	CERAMIC	22PF	5%	50V	
C614	1-161-379-00	(E77ESD)...CERAMIC	0.01MF	30%	16V	
C615	1-161-379-00	(E77ESD)...CERAMIC	0.01MF	30%	16V	
C616	1-161-379-00	(E77ESD)...CERAMIC	0.01MF	30%	16V	
C617	1-161-379-00	(E77ESD)...CERAMIC	0.01MF	30%	16V	
C618	1-161-379-00	(E77ESD)...CERAMIC	0.01MF	30%	16V	
C619	1-161-379-00	(E77ESD)...CERAMIC	0.01MF	30%	16V	
C620	1-124-123-00	ELECT	100MF	20%	6.3V	
C621	1-124-123-00	ELECT	100MF	20%	6.3V	
C622	1-123-369-00	ELECT	4.7MF	20%	50V	
C623	1-136-165-00	FILM	0.1MF	5%	50V	
C624	1-136-165-00	FILM	0.1MF	5%	50V	
C625	1-136-165-00	FILM	0.1MF	5%	50V	
C626	1-136-169-00	FILM	0.22MF	5%	50V	
C701	1-136-153-00	(E77ESD)...FILM	0.01MF	5%	50V	
C702	1-123-382-00	(E77ESD)...ELECT	33MF	20%	50V	
C703	1-136-153-00	(E77ESD)...FILM	0.01MF	5%	50V	
C704	1-123-382-00	(E77ESD)...ELECT	33MF	20%	50V	
C705	1-136-153-00	(E77ESD)...FILM	0.01MF	5%	50V	
C706	1-123-382-00	(E77ESD)...ELECT	33MF	20%	50V	
C707	1-136-153-00	(E77ESD)...FILM	0.01MF	5%	50V	
C708	1-124-963-11	(E77ESD)...ELECT	33MF	20%	16V	
C709	1-136-153-00	(E77ESD)...FILM	0.01MF	5%	50V	
C710	1-136-153-00	(E77ESD)...FILM	0.01MF	5%	50V	
C711	1-162-213-31	(E77ESD)...CERAMIC	39PF	5%	50V	
C712	1-107-294-00	(E77ESD)...MICA	56PF	5%	100V	
C713	1-136-153-00	(E77ESD)...FILM	0.01MF	5%	50V	
C714	1-104-150-00	(E77ESD)...POLYSTYRENE	680PF	5%	125V	
C715	1-136-153-00	(E77ESD)...FILM	0.01MF	5%	50V	
C716	1-136-153-00	(E77ESD)...FILM	0.01MF	5%	50V	
C717	1-136-173-00	(E77ESD)...FILM	0.47MF	5%	50V	
C718	1-136-153-00	(E77ESD)...FILM	0.01MF	5%	50V	
C719	1-124-123-00	(E77ESD)...ELECT	100MF	20%	10V	
C720	1-107-165-00	(E77ESD)...MICA	56PF	5%	100V	
C721	1-136-153-00	(E77ESD)...FILM	0.01MF	5%	50V	
C722	1-136-153-00	(E77ESD)...FILM	0.01MF	5%	50V	

The components identified by shading and mark **A** are critical for safety. Replace only with part number specified.

Les composants identifiés par une trame et une marque **A** sont critiques pour la sécurité. Ne les remplacer que par une pièce portant le numéro spécifié.

ELECTRICAL PARTS					
Ref.No.	Part No.	Description			
C723	1-123-380-00	(E77ESD)...ELECT	1MF	20%	50V
C724	1-136-153-00	(E77ESD)...FILM	0.01MF	5%	50V
C725	1-130-471-00	(E77ESD)...MYLAR	0.001MF	5%	50V
C726	1-123-330-00	(E77ESD)...ELECT	22MF	20%	25V
C727	1-123-330-00	(E77ESD)...ELECT	22MF	20%	25V
C728	1-123-356-00	(E77ESD)...ELECT	10MF	20%	50V
C729	1-123-356-00	(E77ESD)...ELECT	10MF	20%	50V
C730	1-123-330-00	(E77ESD)...ELECT	22MF	20%	25V
C731	1-162-199-31	(E77ESD)...CERAMIC	10PF	5%	50V
C732	1-136-153-00	(E77ESD)...FILM	0.01MF	5%	50V
C733	1-136-153-00	(E77ESD)...FILM	0.01MF	5%	50V
C734	1-124-123-00	(E77ESD)...ELECT	100MF	20%	10V
C735	1-107-157-00	(E77ESD)...MICA	27PF	5%	100V
C736	1-136-153-00	(E77ESD)...FILM	0.01MF	5%	50V
C737	1-136-153-00	(E77ESD)...FILM	0.01MF	5%	50V
C738	1-123-356-00	(E77ESD)...ELECT	10MF	20%	50V
C739	1-136-153-00	(E77ESD)...FILM	0.01MF	5%	50V
C740	1-123-356-00	(E77ESD)...ELECT	10MF	20%	50V
C741	1-136-153-00	(E77ESD)...FILM	0.01MF	5%	50V
C742	1-136-153-00	(E77ESD)...FILM	0.01MF	5%	50V
C743	1-123-356-00	(E77ESD)...ELECT	10MF	20%	50V
C744	1-136-153-00	(E77ESD)...FILM	0.01MF	5%	50V
C747	1-123-335-00	(E77ESD)...ELECT	330MF	20%	25V
C748	1-123-335-00	(E77ESD)...ELECT	330MF	20%	25V
C749	1-123-335-00	(E77ESD)...ELECT	330MF	20%	25V
C750	1-123-335-00	(E77ESD)...ELECT	330MF	20%	25V
C751	1-123-369-00	(E77ESD)...ELECT	4.7MF	20%	50V
C759	1-136-153-00	(E77ESD)...FILM	0.01MF	5%	50V
C760	1-123-356-00	(E77ESD)...ELECT	10MF	20%	50V
C761	1-136-153-00	(E77ESD)...FILM	0.01MF	5%	50V
C762	1-136-153-00	(E77ESD)...FILM	0.01MF	5%	50V
C766	1-162-283-31	(E77ESD)...CERAMIC	120PF	10%	50V
C767	1-124-124-00	(E77ESD)...ELECT	220MF	20%	10V
C768	1-123-356-00	(E77ESD)...ELECT	10MF	20%	50V
C769	1-136-153-00	(E77ESD)...FILM	0.01MF	5%	50V
C770	1-123-356-00	(E77ESD)...ELECT	10MF	20%	50V
C771	1-136-153-00	(E77ESD)...FILM	0.01MF	5%	50V
C772	1-136-153-00	(E77ESD)...FILM	0.01MF	5%	50V
C773	1-124-124-00	(E77ESD)...ELECT	220MF	20%	10V
C774	1-136-153-00	(E77ESD)...FILM	0.01MF	5%	50V
C775	1-123-356-00	(E77ESD)...ELECT	10MF	20%	50V
C776	1-123-356-00	(E77ESD)...ELECT	10MF	20%	50V
C777	1-136-169-00	(E77ESD)...FILM	0.22MF	5%	50V
C778	1-136-169-00	(E77ESD)...FILM	0.22MF	5%	50V
C779	1-136-169-00	(E77ESD)...FILM	0.22MF	5%	50V
C781	1-162-282-31	(E77ESD)...CERAMIC	100PF	10%	50V
C790	1-126-103-11	(E77ESD)...ELECT	470MF	20%	16V
C791	1-126-103-11	(E77ESD)...ELECT	470MF	20%	16V
C792	1-162-218-31	(E77ESD)...CERAMIC	62PF	5%	50V
C793	1-136-153-00	(E77ESD)...FILM	0.01MF	5%	50V
C794	1-162-219-31	(E77ESD)...CERAMIC	68PF	5%	50V
C795	1-161-377-00	(E77ESD)...CERAMIC	0.0047MF	20%	50V
C796	1-161-379-00	(US,G-AEP)...CERAMIC	0.01MF	30%	16V
C797	1-161-379-00	(US,G-AEP)...CERAMIC	0.01MF	30%	16V
C798	1-161-379-00	(US,G-AEP)...CERAMIC	0.01MF	30%	16V
C801	1-123-332-00	(E77ESD)...ELECT	47MF	20%	16V
C802	1-123-332-00	(E77ESD)...ELECT	47MF	20%	16V
C803	1-123-334-00	(E77ESD)...ELECT	220MF	20%	25V
C804	1-123-334-00	(E77ESD)...ELECT	220MF	20%	25V
C805	1-136-233-11	(E77ESD)...FILM	0.0047MF	5%	100V

ELECTRICAL PARTS					
Ref.No.	Part No.	Description			
C806	1-130-848-00	(E77ESD)...FILM	0.0082MF	5%	100V
C807	1-130-279-00	(E77ESD)...FILM	0.0018MF	5%	100V
C808	1-130-729-00	(E77ESD)...FILM	0.0027MF	5%	100V
C809	1-130-729-00	(E77ESD)...FILM	0.0027MF	5%	100V
C810	1-107-169-00	(E77ESD)...MICA	100PF	5%	100V
C811	1-130-475-00	(E77ESD)...MYLAR	0.0022MF	5%	50V
C812	1-123-373-00	(E77ESD)...ELECT	47MF	20%	63V
C813	1-109-621-00	(E77ESD)...MICA	220PF	5%	100V
C814	1-123-356-00	(E77ESD)...ELECT	10MF	20%	50V
C815	1-136-153-00	(E77ESD)...FILM	0.01MF	5%	50V
C816	1-123-333-00	(E77ESD)...ELECT	100MF	20%	16V
C817	1-124-124-00	(E77ESD)...ELECT	220MF	20%	10V
C818	1-123-332-00	(E77ESD)...ELECT	47MF	20%	16V
C819	1-123-332-00	(E77ESD)...ELECT	47MF	20%	16V
C851	1-123-332-00	(E77ESD)...ELECT	47MF	20%	16V
C852	1-123-332-00	(E77ESD)...ELECT	47MF	20%	16V
C853	1-123-334-00	(E77ESD)...ELECT	220MF	20%	25V
C854	1-123-334-00	(E77ESD)...ELECT	220MF	20%	25V
C855	1-136-233-11	(E77ESD)...FILM	0.0047MF	5%	100V
C856	1-130-848-00	(E77ESD)...FILM	0.0082MF	5%	100V
C857	1-130-279-00	(E77ESD)...FILM	0.0018MF	5%	100V
C858	1-130-729-00	(E77ESD)...FILM	0.0027MF	5%	100V
C859	1-130-729-00	(E77ESD)...FILM	0.0027MF	5%	100V
C860	1-107-169-00	(E77ESD)...MICA	100PF	5%	100V
C861	1-130-475-00	(E77ESD)...MYLAR	0.0022MF	5%	50V
C862	1-123-373-00	(E77ESD)...ELECT	47MF	20%	63V
C863	1-109-621-00	(E77ESD)...MICA	220PF	5%	100V
C864	1-123-356-00	(E77ESD)...ELECT	10MF	20%	50V
C865	1-136-153-00	(E77ESD)...FILM	0.01MF	5%	50V
C866	1-123-333-00	(E77ESD)...ELECT	100MF	20%	16V
C867	1-124-124-00	(E77ESD)...ELECT	220MF	20%	10V
C868	1-123-332-00	(E77ESD)...ELECT	47MF	20%	16V
C869	1-123-332-00	(E77ESD)...ELECT	47MF	20%	16V
C951	1-124-477-11	(E77ESD)...ELECT	47MF	20%	16V
C952	1-124-477-11	(E77ESD)...ELECT	47MF	20%	16V
C953	1-124-473-11	(E77ESD)...ELECT	1000MF	20%	10V
C954	1-124-473-11	(E77ESD)...ELECT	1000MF	20%	10V
C955	1-124-477-11	(E77ESD)...ELECT	47MF	20%	16V
C956	1-124-477-11	(E77ESD)...ELECT	47MF	20%	16V
C957	1-124-473-11	(E77ESD)...ELECT	1000MF	20%	10V
C958	1-124-473-11	(E77ESD)...ELECT	1000MF	20%	10V
C959	1-123-356-00	(E77ESD)...ELECT	10MF	20%	16V
C960	1-123-356-00	(E77ESD)...ELECT	10MF	20%	16V
C961	1-124-477-11	(E77ESD)...ELECT	47MF	20%	16V
C963	1-124-477-11	(E77ESD)...ELECT	47MF	20%	16V
C991	A.1-161-744-00	CERAMIC	0.01MF		400V
C992	A.1-130-710-00	(G-AEP)...FILM	0.1MF	20%	250V
C992	A.1-136-345-21	(US)...FILM	0.1MF	20%	125V
CNJ951A1	526-751-00	(UK).....OUTLET, AC			
CNJ951A1	526-883-00	(US,Canadian,E)...OUTLET, AC			
CNJ951A1	526-988-11	(AEP,G-AEP).....OUTLET, AC (CEE)			
CN112	*1-562-327-00	(E77ESD)...SOCKET, CONNECTOR 3P			
CN113	*1-562-327-00	SOCKET, CONNECTOR 3P			
CN114	*1-562-249-00	SOCKET, CONNECTOR 4P			
CN115	*1-562-327-00	SOCKET, CONNECTOR 3P			
CN116	*1-562-327-00	SOCKET, CONNECTOR 3P			
CN117	*1-562-327-00	(E77ESD)...SOCKET, CONNECTOR 3P			

The components identified by shading and mark A are critical for safety. Replace only with part number specified.

Les composants identifiés par une trame et une marque A sont critiques pour la sécurité. Ne les remplacer que par une pièce portant le numéro spécifié.

ELECTRICAL PARTS

Ref.No.	Part No.	Description
CN161	*1-562-327-00	SOCKET, CONNECTOR 3P
CN203	*1-562-249-00	SOCKET, CONNECTOR 4P
CN301	*1-562-249-00	SOCKET, CONNECTOR 4P
CN302	*1-562-249-00	SOCKET, CONNECTOR 4P
CN303	*1-562-249-00	SOCKET, CONNECTOR 4P
CN304	*1-562-249-00	SOCKET, CONNECTOR 4P
CN305	*1-562-249-00	SOCKET, CONNECTOR 4P
CN306	*1-562-327-00	SOCKET, CONNECTOR 3P
CN403	*1-562-327-00	SOCKET, CONNECTOR 3P
CN404	*1-562-327-00	(E77ESD)...SOCKET, CONNECTOR 3P
CN405	*1-562-327-00	SOCKET, CONNECTOR 3P
CN406	*1-562-327-00	SOCKET, CONNECTOR 3P
CN407	*1-562-327-00	SOCKET, CONNECTOR 3P
CN501	*1-562-327-00	SOCKET, CONNECTOR 3P
CN615	*1-562-327-00	SOCKET, CONNECTOR 3P
CN616	*1-562-327-00	SOCKET, CONNECTOR 3P
CN617	*1-562-327-00	SOCKET, CONNECTOR 3P
CN618	*1-562-327-00	SOCKET, CONNECTOR 3P
CN619	*1-562-327-00	SOCKET, CONNECTOR 3P
CN620	*1-562-327-00	SOCKET, CONNECTOR 3P
CNP101	*1-564-507-11	PLUG, CONNECTOR 4P
CNP103	*1-564-506-11	PLUG, CONNECTOR 3P
CNP104	*1-564-506-11	PLUG, CONNECTOR 3P
CNP105	*1-564-506-11	(E77ESD)...PLUG, CONNECTOR 3P
CNP106	*1-564-505-11	PLUG, CONNECTOR 2P
CNP107	*1-564-505-31	PLUG, CONNECTOR 2P
CNP108	*1-564-506-11	PLUG, CONNECTOR 3P
CNP109	*1-564-506-11	PLUG, CONNECTOR 3P
CNP110	*1-564-506-11	PLUG, CONNECTOR 3P
CNP111	*1-564-506-11	PLUG, CONNECTOR 3P
CNP151	*1-564-507-41	PLUG, CONNECTOR 4P
CNP152	*1-564-507-21	PLUG, CONNECTOR 4P
CNP153	*1-564-507-11	PLUG, CONNECTOR 4P
CNP154	*1-564-507-31	PLUG, CONNECTOR 4P
CNP156	*1-564-505-11	PLUG, CONNECTOR 2P
CNP157	*1-564-507-21	PLUG, CONNECTOR 4P
CNP158	*1-564-505-21	PLUG, CONNECTOR 2P
CNP159	*1-564-505-31	PLUG, CONNECTOR 2P
CNP160	*1-564-505-21	PLUG, CONNECTOR 2P
CNP201	*1-564-506-11	PLUG, CONNECTOR 3P
CNP202	*1-564-506-11	PLUG, CONNECTOR 3P
CNP401	*1-564-506-11	PLUG, CONNECTOR 3P
CNP402	*1-564-505-41	PLUG, CONNECTOR 2P
CNP601	*1-564-509-11	PLUG, CONNECTOR 6P
CNP602	*1-564-506-11	PLUG, CONNECTOR 3P
CNP603	*1-564-508-11	PLUG, CONNECTOR 5P
CNP604	*1-564-505-11	PLUG, CONNECTOR 2P
CNP605	*1-564-505-41	PLUG, CONNECTOR 2P
CNP606	*1-564-505-11	PLUG, CONNECTOR 2P
CNP607	*1-564-342-11	PIN, CONNECTOR 8P
CNP608	*1-564-666-11	PIN, CONNECTOR 10P
CNP609	*1-564-666-11	PIN, CONNECTOR 10P
CNP610	*1-564-505-31	PLUG, CONNECTOR 2P
CNP611	*1-564-506-11	PLUG, CONNECTOR 3P
CNP613	*1-564-505-31	PLUG, CONNECTOR 2P
CNP614	*1-564-505-11	PLUG, CONNECTOR 2P

ELECTRICAL PARTS

Ref.No.	Part No.	Description
CNP691	*1-564-506-11	PLUG, CONNECTOR 3P
CNP701	*1-564-510-11	(E77ESD)...PLUG, CONNECTOR 7P
CNP702	*1-564-505-11	(E77ESD)...PLUG, CONNECTOR 2P
CNP703	*1-564-505-31	(E77ESD)...PLUG, CONNECTOR 2P
CNP704	*1-564-505-21	(E77ESD)...PLUG, CONNECTOR 2P
CNP705	*1-564-505-41	(E77ESD)...PLUG, CONNECTOR 2P
CNP706	*1-564-506-11	(E77ESD)...PLUG, CONNECTOR 3P
CNP707	*1-564-506-11	(E77ESD)...PLUG, CONNECTOR 3P
CNP708	*1-564-506-11	(E77ESD)...PLUG, CONNECTOR 3P
D101	8-719-910-62	DIODE HZ6A2L
D102	8-719-940-76	DIODE 1SS132
D103	8-719-940-76	DIODE 1SS132
D151	8-719-910-62	DIODE HZ6A2L
D401	8-719-230-02	DIODE 30DF2
D402	8-719-230-02	DIODE 30DF2
D403	8-719-902-22	DIODE HZ22-2L
D404	8-719-902-83	DIODE HZ18-3
D405	9-982-270-01	(E77ESD)...DIODE S2VB40
D406	9-982-270-01	DIODE S2VB40
D451	8-719-230-02	DIODE 30DF2
D452	8-719-230-02	DIODE 30DF2
D453	8-719-902-22	DIODE HZ22-2L
D454	8-719-902-83	DIODE HZ18-3
D501	8-719-940-76	DIODE 1SS132
D502	8-719-940-76	DIODE 1SS132
D503	8-719-940-76	DIODE 1SS132
D504	8-719-940-76	DIODE 1SS132
D601	8-719-200-77	DIODE 10E2N
D602	8-719-200-77	DIODE 10E2N
D603	8-719-200-77	DIODE 10E2N
D604	8-719-200-77	DIODE 10E2N
D605	8-719-940-76	DIODE 1SS132
D607	8-719-300-82	DIODE SEL2213C
D608	8-719-940-76	DIODE 1SS132
D609	8-719-940-76	DIODE 1SS132
D610	8-719-200-77	DIODE 10E2N
D611	8-719-940-76	DIODE 1SS132
D612	8-719-301-39	(E77ESD)...DIODE SEL2210S-D
D613	8-719-301-39	(E77ESD)...DIODE SEL2210S-D
D614	8-719-301-39	(E77ESD)...DIODE SEL2210S-D
D615	8-719-301-39	(E77ESD)...DIODE SEL2210S-D
D616	8-719-301-39	DIODE SEL2210S-D
D617	8-719-301-39	DIODE SEL2210S-D
D618	8-719-301-39	DIODE SEL2210S-D
D619	8-719-301-39	DIODE SEL2210S-D
D620	8-719-301-39	DIODE SEL2210S-D
D621	8-719-301-39	DIODE SEL2210S-D
D622	8-719-301-39	DIODE SEL2210S-D
D623	8-719-301-39	DIODE SEL2210S-D
D624	8-719-301-39	DIODE SEL2210S-D
D625	8-719-301-39	DIODE SEL2210S-D
D626	8-719-301-39	DIODE SEL2210S-D
D627	8-719-301-39	DIODE SEL2210S-D
D628	8-719-301-39	DIODE SEL2210S-D
D629	8-719-301-39	DIODE SEL2210S-D
D630	8-719-301-39	DIODE SEL2210S-D
D631	8-719-301-39	DIODE SEL2210S-D

The components identified by shading and mark Δ are critical for safety. Replace only with part number specified.

Les composants identifiés par une trame et une marque Δ sont critiques pour la sécurité. Ne les remplacer que par une pièce portant le numéro spécifié.

ELECTRICAL PARTS

Ref.No.	Part No.	Description
D632	8-719-301-39	DIODE SEL2210S-D
D633	8-719-301-39	DIODE SEL2210S-D
D634	8-719-301-39	DIODE SEL2210S-D
D635	8-719-301-39	DIODE SEL2210S-D
D636	8-719-303-00	DIODE SEL2510C
D637	8-719-303-00	DIODE SEL2510C
D638	8-719-301-39	DIODE SEL2210S-D
D639	8-719-301-39	DIODE SEL2210S-D
D640	8-719-301-39	(E77ESD)...DIODE SEL2210S-D
D641	8-719-301-39	(E77ESD)...DIODE SEL2210S-D
D642	8-719-303-00	(E77ESD)...DIODE SEL2510C
D643	8-719-303-00	(E77ESD)...DIODE SEL2510C
D644	8-719-303-00	(E77ESD)...DIODE SEL2510C
D645	8-719-940-76	DIODE 1SS132
D650	8-719-940-76	DIODE 1SS132
D651	8-719-940-76	DIODE 1SS132
D652	8-719-940-76	DIODE 1SS132
D691	8-719-940-76	DIODE 1SS132
D701	8-719-940-76	(E77ESD)...DIODE 1SS132
D702	8-719-940-76	(E77ESD)...DIODE 1SS132
D703	8-719-940-76	(E77ESD)...DIODE 1SS132
D704	8-719-910-68	(E77ESD)...DIODE HZ6C2L
D705	8-719-940-76	(E77ESD)...DIODE 1SS132
D706	8-719-940-76	(E77ESD)...DIODE 1SS132
F951	A.1-532-740-11	(US,Canadian)...FUSE, GLASS TUBE (1A)
IC101	8-759-701-21	IC NJM5532D-D
IC201	8-759-602-01	(G-AEP)...IC M5220P
IC201	8-759-701-21	(US,Canadian,AEP,UK,E)...IC NJM5532D-D
IC401	8-759-602-31	IC M5209P
IC402	A.8-759-604-39	(E77ESD)...IC M5F78M12
IC404	A.8-759-701-79	IC NJM7812FA
IC405	A.8-759-604-29	IC M5F7805
IC406	A.8-759-701-56	(E77ESD)...IC NJM78M05FA
IC407	A.8-759-701-56	(E77ESD)...IC NJM78M05FA
IC451	A.8-759-701-69	(E77ESD)...IC NJM79M12FA
IC453	A.8-759-701-65	(E77ESD)...IC NJM79M05FA
IC454	A.8-759-701-65	(E77ESD)...IC NJM79M05FA
IC501	8-759-601-43	IC M4066BP
IC502	8-759-801-61	IC LA7220
IC601	A.8-759-701-56	IC NJM78M05FA
IC602	8-759-240-93	IC TC4093BP
IC603	8-759-113-52	IC UPD75104CW-078
IC604	8-759-601-03	IC M54566P
IC605	8-759-601-03	IC M54566P
IC606	8-759-601-03	IC M54566P
IC607	8-759-008-95	IC MC14028BF
IC608	8-759-600-68	IC M54562P
IC609	8-759-600-68	IC M54562P
IC610	A.8-759-600-24	IC M54543L
IC611	8-741-131-70	IC BX-1317
IC701	8-759-202-11	(E77ESD)...IC TC74HC00P
IC702	8-759-202-11	(E77ESD)...IC TC74HC00P
IC703	8-759-202-74	(E77ESD)...IC TC74HC04P
IC704	8-759-001-26	(E77ESD)...IC MC74HC112N
IC705	8-759-202-24	(E77ESD)...IC TC74HC86P

ELECTRICAL PARTS

Ref.No.	Part No.	Description
IC706	8-759-202-86	(E77ESD)...IC TC74HC123P
IC707	8-759-918-71	(E77ESD)...IC CX23065
IC708	8-759-906-24	(E77ESD)...IC SN74LS624N
IC709	8-759-203-40	(E77ESD)...IC TC74HC393P
IC710	8-759-000-99	(E77ESD)...IC MC74HC74N
IC711	8-759-910-83	(E77ESD)...IC TL072ACP
IC712	8-759-918-71	(E77ESD)...IC CX23065
IC713	8-759-906-24	(E77ESD)...IC SN74LS624N
IC714	8-759-001-26	(E77ESD)...IC MC74HC112N
IC715	8-759-203-40	(E77ESD)...IC TC74HC393P
IC716	8-759-202-11	(E77ESD)...IC TC74HC00P
IC717	8-759-202-74	(E77ESD)...IC TC74HC04P
IC718	8-752-322-31	(E77ESD)...IC CXD1076P
IC719	8-759-939-35	(E77ESD)...IC CXD1088Q
IC720	8-759-000-99	(E77ESD)...IC MC74HC74N
IC721	8-759-000-99	(E77ESD)...IC MC74HC74N
IC801	8-759-938-46	(E77ESD)...IC PCM56P-JS
IC802	8-759-701-21	(E77ESD)...IC NJM5532D-D
IC803	8-759-701-21	(E77ESD)...IC NJM5532D-D
IC851	8-759-938-46	(E77ESD)...IC PCM56P-JS
IC852	8-759-701-21	(E77ESD)...IC NJM5532D-D
IC853	8-759-701-21	(E77ESD)...IC NJM5532D-D
IC951	8-759-601-43	(E77ESD)...IC M4066BP
IC952	8-759-801-61	(E77ESD)...IC LA7220
IC953	8-759-801-61	(E77ESD)...IC LA7220
J101	1-566-881-11	JACK, PIN 2P (PHONO)
J102	1-566-883-11	JACK, PIN 6P (TUNER/CD/AUX)
J103	1-566-883-11	JACK, PIN 6P (TAPE 1/TAPE 1 REC/TAPE 2 REC)
J104	1-566-883-11	JACK, PIN 6P (TAPE 2/VIDEO 1 OUT/VIDEO 2 IN)
J105	1-566-883-11	JACK, PIN 6P (VIDEO 2 IN/VIDEO 3 IN/VIDEO 2 OUT)
J106	1-566-882-11	JACK, PIN 4P (OUTPUT 1/2)
J107	1-566-892-11	(E77ESD)...JACK, PIN 2P (DAT ANALOGUE REC)
J108	1-566-892-11	JACK, PIN 2P (ADAPTOR OUT)
J109	1-566-892-11	JACK, PIN 2P (ADAPTOR IN)
J110	1-507-863-41	JACK, LARGE TYPE (HEADPHONES)
J501	1-566-893-11	JACK, PIN 2P (VIDEO 1 OUT/MONITOR VIDEO OUT)
J502	1-566-893-11	JACK, PIN 2P (VIDEO 1 IN/VIDEO 2 OUT)
J503	1-566-893-11	JACK, PIN 2P (VIDEO 3 IN/VIDEO 2 IN)
J551	1-566-846-11	(E77ESD)...CONNECTOR, (S) TERMINAL 4P (S VIDEO 1 IN)
J552	1-566-846-11	(E77ESD)...CONNECTOR, (S) TERMINAL 4P (S VIDEO 1 OUT)
J553	1-566-846-11	(E77ESD)...CONNECTOR, (S) TERMINAL 4P (S VIDEO 2 IN)
J554	1-566-846-11	(E77ESD)...CONNECTOR, (S) TERMINAL 4P (MONITOR S VIDEO OUT)
J701	*1-563-079-11	(E77ESD)...JACK, PIN 1P (DIGITAL IN 1)
J702	1-507-898-31	(E77ESD)...JACK, PIN 2P (DIGITAL IN 2/DAT DIGITAL IN)
J703	1-507-567-71	(E77ESD)...JACK, PIN 1P(DAT DIGITAL OUT)
L201	1-413-101-00	(G-AEP)...COIL, INPUT
L202	1-413-101-00	(G-AEP)...COIL, INPUT
L251	1-413-101-00	(G-AEP)...COIL, INPUT

The components identified by shading and mark **A** are critical for safety. Replace only with part number specified.

Les composants identifiés par une trame et une marque **A** sont critiques pour la sécurité. Ne les remplacer que par une pièce portant le numéro spécifié.

ELECTRICAL PARTS

Ref.No.	Part No.	Description
L252	1-413-101-00	(G-AEP)...COIL, INPUT
L401	▲ 1-424-026-11	COIL, LINE FILTER
L402	▲ 1-424-026-21	(E77ESD)...COIL, LINE FILTER
L601	▲ 1-424-026-11	COIL, LINE FILTER
L701	1-408-559-00	(E77ESD)...MICRO INDUCTOR 4.7UH
L702	1-408-559-00	(E77ESD)...MICRO INDUCTOR 4.7UH
L703	1-408-559-00	(E77ESD)...MICRO INDUCTOR 4.7UH
L704	1-408-559-00	(E77ESD)...MICRO INDUCTOR 4.7UH
L705	1-408-559-00	(E77ESD)...MICRO INDUCTOR 4.7UH
L706	1-408-559-00	(E77ESD)...MICRO INDUCTOR 4.7UH
L707	1-408-559-00	(E77ESD)...MICRO INDUCTOR 4.7UH
L708	1-408-559-00	(E77ESD)...MICRO INDUCTOR 4.7UH
L709	1-408-104-00	(E77ESD)...MICRO INDUCTOR 1MMH
L710	1-408-559-00	(E77ESD)...MICRO INDUCTOR 4.7UH
L711	1-408-559-00	(E77ESD)...MICRO INDUCTOR 4.7UH
L712	1-408-104-00	(E77ESD)...MICRO INDUCTOR 1MMH
L713	1-408-559-00	(E77ESD)...MICRO INDUCTOR 4.7UH
L714	1-408-559-00	(E77ESD)...MICRO INDUCTOR 4.7UH
L715	1-408-559-00	(E77ESD)...MICRO INDUCTOR 4.7UH
L716	1-408-104-00	(E77ESD)...MICRO INDUCTOR 1MMH
L717	1-408-559-00	(E77ESD)...MICRO INDUCTOR 4.7UH
L718	1-408-559-00	(E77ESD)...MICRO INDUCTOR 4.7UH
L719	1-408-080-00	(E77ESD)...MICRO INDUCTOR 100UH
L721	1-408-559-00	(E77ESD)...MICRO INDUCTOR 4.7UH
L722	1-408-559-00	(E77ESD)...MICRO INDUCTOR 4.7UH
L951	▲ 1-421-580-00	(US)...TRANSFORMER, LINE FILTER (LFT)
L951	▲ 1-421-960-11	(G-AEP)...TRANSFORMER, LINE FILTER
Q101	8-729-202-67	TRANSISTOR 2SK246-GR3
Q103	8-729-104-18	TRANSISTOR 2SC3514
Q104	8-765-640-10	TRANSISTOR 2SK244
Q105	▲ 8-729-113-82	TRANSISTOR 2SA1138
Q106	▲ 8-729-113-82	TRANSISTOR 2SA1138
Q107	▲ 8-729-167-62	TRANSISTOR 2SC2676
Q108	▲ 8-729-167-62	TRANSISTOR 2SC2676
Q109	▲ 8-729-104-18	TRANSISTOR 2SC3514
Q110	▲ 8-729-104-91	TRANSISTOR 2SA1383
Q151	8-729-202-67	TRANSISTOR 2SK246-GR3
Q153	8-729-104-18	TRANSISTOR 2SC3514
Q154	8-765-640-10	TRANSISTOR 2SK244
Q155	▲ 8-729-113-82	TRANSISTOR 2SA1138
Q156	▲ 8-729-113-82	TRANSISTOR 2SA1138
Q157	▲ 8-729-167-62	TRANSISTOR 2SC2676
Q158	▲ 8-729-167-62	TRANSISTOR 2SC2676
Q159	▲ 8-729-104-18	TRANSISTOR 2SC3514
Q160	▲ 8-729-104-91	TRANSISTOR 2SA1383
Q201	8-729-214-71	TRANSISTOR 2SK147
Q202	8-729-214-71	TRANSISTOR 2SK147
Q203	8-729-201-56	TRANSISTOR 2SK246-GR2
Q204	8-729-168-22	TRANSISTOR 2SC2682
Q205	8-729-194-57	TRANSISTOR 2SC945-P
Q251	8-729-214-71	TRANSISTOR 2SK147
Q252	8-729-214-71	TRANSISTOR 2SK147
Q253	8-729-201-56	TRANSISTOR 2SK246-GR2
Q254	8-729-168-22	TRANSISTOR 2SC2682
Q255	8-729-194-57	TRANSISTOR 2SC945-P
Q401	8-729-201-56	TRANSISTOR 2SK246-GR2
Q402	▲ 8-729-107-53	TRANSISTOR 2SC2275A

ELECTRICAL PARTS

Ref.No.	Part No.	Description
Q451	8-729-201-56	TRANSISTOR 2SK246-GR2
Q452	▲ 8-729-118-53	TRANSISTOR 2SA985-P
Q501	8-729-194-57	TRANSISTOR 2SC945-P
Q502	8-729-194-57	TRANSISTOR 2SC945-P
Q503	8-729-194-57	TRANSISTOR 2SC945-P
Q504	8-729-806-28	TRANSISTOR 2SC3402
Q601	8-729-806-28	TRANSISTOR 2SC3402
Q603	8-729-806-28	TRANSISTOR 2SC3402
Q604	8-729-154-82	TRANSISTOR 2SB548-R
Q691	8-729-600-27	TRANSISTOR 2SC634SP
Q692	8-729-806-28	TRANSISTOR 2SC3402
Q701	8-729-204-83	(E77ESD)...TRANSISTOR 2SA1048-GR
Q702	8-729-806-28	(E77ESD)...TRANSISTOR 2SC3402
Q703	8-729-159-01	(E77ESD)...TRANSISTOR 2SA1348
Q704	8-729-806-20	(E77ESD)...TRANSISTOR 2SA1345
Q705	8-729-159-01	(E77ESD)...TRANSISTOR 2SA1348
Q951	8-729-194-57	(E77ESD)...TRANSISTOR 2SC945-P
Q952	8-729-194-57	(E77ESD)...TRANSISTOR 2SC945-P
Q953	8-729-194-57	(E77ESD)...TRANSISTOR 2SC945-P
Q954	8-729-194-57	(E77ESD)...TRANSISTOR 2SC945-P
Q955	8-729-194-57	(E77ESD)...TRANSISTOR 2SC945-P
Q956	8-729-194-57	(E77ESD)...TRANSISTOR 2SC945-P
R101	1-247-713-11	CARBON 1K 5% 1/4W
R102	1-247-713-11	CARBON 1K 5% 1/4W
R103	1-247-713-11	CARBON 1K 5% 1/4W
R104	1-247-713-11	CARBON 1K 5% 1/4W
R105	1-247-713-11	(E77ESD)...CARBON 1K 5% 1/4W
R106	1-247-700-11	CARBON 100 5% 1/4W
R107	1-249-465-11	CARBON 47K 5% 1/4W
R108	1-247-721-11	CARBON 4.7K 5% 1/4W
R109	1-247-713-11	CARBON 1K 5% 1/4W
R110	1-246-545-00	CARBON 1M 5% 1/4W
R111	1-247-711-11	CARBON 680 5% 1/4W
R112	1-247-723-11	CARBON 6.8K 5% 1/4W
R113	1-247-725-11	CARBON 10K 5% 1/4W
R114	1-249-556-11	CARBON 1.5K 5% 1/4W
R115	1-249-895-11	CARBON 68 1% 1/4W
R116	1-249-895-11	CARBON 68 1% 1/4W
R117	1-247-706-11	CARBON 330 5% 1/4W
R118	1-249-556-11	CARBON 1.5K 5% 1/4W
R119	1-249-556-11	CARBON 1.5K 5% 1/4W
R120	▲ 1-247-711-11	CARBON 680 5% 1/4W
R121	1-247-146-00	CARBON 4.3K 5% 1/4W
R122	1-249-556-11	CARBON 1.5K 5% 1/4W
R123	1-249-556-11	CARBON 1.5K 5% 1/4W
R124	1-259-014-11	CARBON 4.7K 1% 1/2W
R125	▲ 1-249-641-11	CARBON 47 5% 1/2W
R126	1-249-641-11	CARBON 47 5% 1/2W
R127	1-249-641-11	CARBON 47 5% 1/2W
R128	▲ 1-249-641-11	CARBON 47 5% 1/2W
R129	1-249-641-11	CARBON 47 5% 1/2W
R130	1-249-604-11	CARBON 150K 5% 1/4W
R131	1-249-590-11	CARBON 39K 5% 1/4W
R132	1-249-590-11	CARBON 39K 5% 1/4W
R133	1-249-556-11	CARBON 1.5K 5% 1/4W
R134	1-247-700-11	CARBON 100 5% 1/4W
R135	1-249-469-11	CARBON 100K 5% 1/4W
R136	1-247-152-00	CARBON 8.2K 5% 1/4W

The components identified by shading and mark ▲ are critical for safety. Replace only with part number specified.

Les composants identifiés par une trame et une marque ▲ sont critiques pour la sécurité. Ne les remplacer que par une pièce portant le numéro spécifié.

ELECTRICAL PARTS

Ref.No.	Part No.	Description				
R137	1-259-025-11	CARBON	470	1%	1/2W	
R138	1-246-529-00	CARBON	220K	5%	1/4W	
R139	1-247-702-11	(G-AEP)...CARBON	150	5%	1/4W	
R140	1-247-713-11	(G-AEP)...CARBON	1K	5%	1/4W	
R141	1-247-713-11	CARBON	1K	5%	1/4W	
R142	1-249-595-11	CARBON	62K	5%	1/4W	
R151	1-247-713-11	CARBON	1K	5%	1/4W	
R152	1-247-713-11	CARBON	1K	5%	1/4W	
R153	1-247-713-11	CARBON	1K	5%	1/4W	
R154	1-247-713-11	CARBON	1K	5%	1/4W	
R155	1-247-713-11	(E77ESD)...CARBON	1K	5%	1/4W	
R156	1-247-700-11	CARBON	100	5%	1/4W	
R157	1-249-465-11	CARBON	47K	5%	1/4W	
R158	1-247-721-11	CARBON	4.7K	5%	1/4W	
R159	1-247-713-11	CARBON	1K	5%	1/4W	
R160	1-246-545-00	CARBON	1M	5%	1/4W	
R161	1-247-711-11	CARBON	680	5%	1/4W	
R162	1-247-723-11	CARBON	6.8K	5%	1/4W	
R163	1-247-725-11	CARBON	10K	5%	1/4W	
R164	1-249-556-11	CARBON	1.5K	5%	1/4W	
R165	1-249-895-11	CARBON	68	1%	1/4W	
R166	1-249-895-11	CARBON	68	1%	1/4W	
R167	1-247-706-11	CARBON	330	5%	1/4W	
R168	1-249-556-11	CARBON	1.5K	5%	1/4W	
R169	1-249-556-11	CARBON	1.5K	5%	1/4W	
R170	1-247-711-11	CARBON	680	5%	1/4W	
R171	1-247-146-00	CARBON	4.3K	5%	1/4W	
R172	1-249-556-11	CARBON	1.5K	5%	1/4W	
R173	1-249-556-11	CARBON	1.5K	5%	1/4W	
R174	1-259-014-11	CARBON	4.7K	1%	1/2W	
R175	1-249-641-11	CARBON	47	5%	1/2W	
R176	1-249-641-11	CARBON	47	5%	1/2W	
R177	1-249-641-11	CARBON	47	5%	1/2W	
R178	1-249-641-11	CARBON	47	5%	1/2W	
R179	1-249-641-11	CARBON	47	5%	1/2W	
R180	1-249-604-11	CARBON	150K	5%	1/4W	
R181	1-249-590-11	CARBON	39K	5%	1/4W	
R182	1-249-590-11	CARBON	39K	5%	1/4W	
R183	1-249-556-11	CARBON	1.5K	5%	1/4W	
R184	1-247-700-11	CARBON	100	5%	1/4W	
R185	1-249-469-11	CARBON	100K	5%	1/4W	
R186	1-247-152-00	CARBON	8.2K	5%	1/4W	
R187	1-259-025-11	CARBON	470	1%	1/2W	
R188	1-246-529-00	CARBON	220K	5%	1/4W	
R189	1-247-713-11	(G-AEP)...CARBON	1K	5%	1/4W	
R190	1-247-713-11	(G-AEP)...CARBON	1K	5%	1/4W	
R191	1-247-713-11	CARBON	1K	5%	1/4W	
R192	1-249-595-11	CARBON	62K	5%	1/4W	
R201	1-247-706-11	CARBON	330	5%	1/4W	
R202	1-247-700-11	CARBON	100	5%	1/4W	
R203	1-247-713-11	CARBON	1K	5%	1/4W	
R204	1-249-465-11	CARBON	47K	5%	1/4W	
R205	1-247-721-11	CARBON	4.7K	5%	1/4W	
R206	1-247-704-11	CARBON	220	5%	1/4W	
R207	1-249-518-11	CARBON	39	5%	1/4W	
R208	1-247-708-11	CARBON	470	5%	1/4W	
R209	1-247-128-00	CARBON	750	5%	1/4W	
R210	1-247-700-11	CARBON	100	5%	1/4W	

ELECTRICAL PARTS

Ref.No.	Part No.	Description				
R211	1-247-128-00	CARBON	750	5%	1/4W	
R212	1-249-874-11	CARBON	1M	1%	1/2W	
R214	1-249-844-11	CARBON	56K	1%	1/2W	
R216	1-249-818-11	CARBON	4.7K	1%	1/2W	
R217	1-249-777-11	CARBON	91	1%	1/2W	
R218	1-206-458-00	CARBON	6.2	5%	1/3W	
R219	1-247-704-11	CARBON	220	5%	1/4W	
R220	1-247-706-11	(G-AEP)...CARBON	330	5%	1/4W	
R221	1-247-706-11	(G-AEP)...CARBON	330	5%	1/4W	
R251	1-247-706-11	CARBON	330	5%	1/4W	
R252	1-247-700-11	CARBON	100	5%	1/4W	
R253	1-247-713-11	CARBON	1K	5%	1/4W	
R254	1-249-465-11	CARBON	47K	5%	1/4W	
R255	1-247-721-11	CARBON	4.7K	5%	1/4W	
R256	1-247-704-11	CARBON	220	5%	1/4W	
R257	1-249-518-11	CARBON	39	5%	1/4W	
R258	1-247-708-11	CARBON	470	5%	1/4W	
R259	1-247-128-00	CARBON	750	5%	1/4W	
R260	1-247-700-11	CARBON	100	5%	1/4W	
R261	1-247-128-00	CARBON	750	5%	1/4W	
R262	1-249-874-11	CARBON	1M	1%	1/2W	
R264	1-249-844-11	CARBON	56K	1%	1/2W	
R266	1-249-818-11	CARBON	4.7K	1%	1/2W	
R267	1-249-777-11	CARBON	91	1%	1/2W	
R268	1-206-458-00	CARBON	6.2	5%	1/3W	
R269	1-247-704-11	CARBON	220	5%	1/4W	
R291	1-247-735-11	CARBON	47	5%	1/2W	F
R292	1-247-735-11	CARBON	47	5%	1/2W	F
R270	1-247-706-11	(G-AEP)...CARBON	330	5%	1/4W	
R271	1-247-706-11	(G-AEP)...CARBON	330	5%	1/4W	
R301	1-202-727-00	CARBON	4.7M	5%	1/3W	
R302	1-202-727-00	CARBON	4.7M	5%	1/3W	
R303	1-247-725-11	CARBON	10K	5%	1/4W	
R304	1-202-727-00	CARBON	4.7M	5%	1/3W	
R305	1-202-727-00	CARBON	4.7M	5%	1/3W	
R306	1-249-466-11	CARBON	56K	5%	1/4W	
R307	1-202-727-00	CARBON	4.7M	5%	1/3W	
R308	1-247-722-11	CARBON	5.6K	5%	1/4W	
R309	1-247-717-11	CARBON	2.2K	5%	1/4W	
R310	1-202-727-00	CARBON	4.7M	5%	1/3W	
R351	1-202-727-00	CARBON	4.7M	5%	1/3W	
R352	1-202-727-00	CARBON	4.7M	5%	1/3W	
R353	1-247-725-11	CARBON	10K	5%	1/4W	
R354	1-202-727-00	CARBON	4.7M	5%	1/3W	
R355	1-202-727-00	CARBON	4.7M	5%	1/3W	
R356	1-249-466-11	CARBON	56K	5%	1/4W	
R357	1-202-727-00	CARBON	4.7M	5%	1/3W	
R358	1-247-722-11	CARBON	5.6K	5%	1/4W	
R359	1-247-717-11	CARBON	2.2K	5%	1/4W	
R360	1-202-727-00	CARBON	4.7M	5%	1/3W	
R402	1-247-719-11	CARBON	3.3K	5%	1/4W	
R403	1-247-704-11	CARBON	220	5%	1/4W	
R404	1-249-460-11	CARBON	15K	5%	1/4W	
R405	1-247-719-11	CARBON	3.3K	5%	1/4W	
R452	1-247-719-11	CARBON	3.3K	5%	1/4W	
R453	1-247-704-11	CARBON	220	5%	1/4W	
R454	1-249-460-11	CARBON	15K	5%	1/4W	

The components identified by shading and mark Δ are critical for safety. Replace only with part number specified.

Les composants identifiés par une trame et une marque Δ sont critiques pour la sécurité. Ne les remplacer que par une pièce portant le numéro spécifié.

ELECTRICAL PARTS

Ref.No.	Part No.	Description				
R491	1-247-694-11	CARBON	33	5%	1/4W	F
R501	1-215-394-00	CARBON	75	5%	1/4W	
R502	1-249-429-11	CARBON	10K	5%	1/4W	
R503	1-215-394-00	CARBON	75	5%	1/4W	
R504	1-249-429-11	CARBON	10K	5%	1/4W	
R505	1-249-401-11	CARBON	47	5%	1/4W	
R506	1-249-429-11	CARBON	10K	5%	1/4W	
R507	1-249-414-11	CARBON	560	5%	1/4W	
R508	1-215-394-00	CARBON	75	5%	1/4W	
R509	1-249-429-11	CARBON	10K	5%	1/4W	
R510	1-249-401-11	CARBON	47	5%	1/4W	
R511	1-249-429-11	CARBON	10K	5%	1/4W	
R512	1-249-414-11	CARBON	560	5%	1/4W	
R513	1-249-401-11	CARBON	47	5%	1/4W	
R514	1-249-429-11	CARBON	10K	5%	1/4W	
R515	1-249-414-11	CARBON	560	5%	1/4W	
R516	1-249-440-11	CARBON	82K	5%	1/4W	
R517	1-249-435-11	CARBON	33K	5%	1/4W	
R518	1-249-416-11	CARBON	820	5%	1/4W	
R519	1-249-423-11	CARBON	3.3K	5%	1/4W	
R520	1-247-849-00	CARBON	5.6K	5%	1/4W	
R521	1-249-423-11	CARBON	3.3K	5%	1/4W	
R522	1-247-887-00	CARBON	220K	5%	1/4W	
R523	1-249-429-11	CARBON	10K	5%	1/4W	
R524	1-249-429-11	CARBON	10K	5%	1/4W	
R526	1-249-429-11	CARBON	10K	5%	1/4W	
R527	1-249-429-11	CARBON	10K	5%	1/4W	
R528	1-249-429-11	CARBON	10K	5%	1/4W	
R601	1-249-430-11	CARBON	12K	5%	1/4W	
R605	1-249-437-11	CARBON	47K	5%	1/4W	
R606	1-247-710-11	CARBON	560	5%	1/4W	
R607	1-249-405-11	CARBON	100	5%	1/4W	
R608	1-249-417-11	CARBON	1K	5%	1/4W	
R609	1-249-417-11	CARBON	1K	5%	1/4W	
R610	1-249-417-11	CARBON	1K	5%	1/4W	
R611	1-249-417-11	CARBON	1K	5%	1/4W	
R612	1-249-417-11	CARBON	1K	5%	1/4W	
R613	1-249-417-11	CARBON	1K	5%	1/4W	
R614	1-249-417-11	CARBON	1K	5%	1/4W	
R615	1-249-417-11	CARBON	1K	5%	1/4W	
R616	1-249-417-11	CARBON	1K	5%	1/4W	
R617	1-249-433-11	CARBON	22K	5%	1/4W	
R618	1-249-433-11	CARBON	22K	5%	1/4W	
R619	1-249-433-11	CARBON	22K	5%	1/4W	
R620	1-249-433-11	CARBON	22K	5%	1/4W	
R621	1-249-441-11	CARBON	100K	5%	1/4W	
R622	1-249-441-11	CARBON	100K	5%	1/4W	
R623	1-249-441-11	CARBON	100K	5%	1/4W	
R624	1-249-441-11	CARBON	100K	5%	1/4W	
R625	1-249-417-11	CARBON	1K	5%	1/4W	
R626	1-249-417-11	CARBON	1K	5%	1/4W	
R627	1-249-417-11	CARBON	1K	5%	1/4W	
R628	1-249-417-11	CARBON	1K	5%	1/4W	
R629	1-249-407-11	CARBON	150	5%	1/4W	
R630	1-249-417-11	CARBON	1K	5%	1/4W	
R631	1-249-433-11	CARBON	22K	5%	1/4W	
R632	1-249-417-11	CARBON	1K	5%	1/4W	

ELECTRICAL PARTS

Ref.No.	Part No.	Description				
R634	1-249-417-11	(E77ESD)...CARBON	1K	5%	1/4W	
R635	1-249-417-11	(E77ESD)...CARBON	1K	5%	1/4W	
R636	1-249-417-11	(E77ESD)...CARBON	1K	5%	1/4W	
R637	1-249-417-11	(E77ESD)...CARBON	1K	5%	1/4W	
R638	1-249-417-11	(E77ESD)...CARBON	1K	5%	1/4W	
R639	1-249-417-11	(E77ESD)...CARBON	1K	5%	1/4W	
R640	1-247-118-00	(E77ESD)...CARBON	300	5%	1/4W	
R641	1-247-118-00	(E77ESD)...CARBON	300	5%	1/4W	
R642	1-247-118-00	CARBON	300	5%	1/4W	
R643	1-247-118-00	CARBON	300	5%	1/4W	
R644	1-247-118-00	CARBON	300	5%	1/4W	
R645	1-247-118-00	CARBON	300	5%	1/4W	
R646	1-247-118-00	CARBON	300	5%	1/4W	
R647	1-247-118-00	CARBON	300	5%	1/4W	
R648	1-247-118-00	CARBON	300	5%	1/4W	
R649	1-247-118-00	CARBON	300	5%	1/4W	
R650	1-247-118-00	CARBON	300	5%	1/4W	
R651	1-247-118-00	CARBON	300	5%	1/4W	
R652	1-247-118-00	CARBON	300	5%	1/4W	
R653	1-247-118-00	CARBON	300	5%	1/4W	
R654	1-247-118-00	(E77ESD)...CARBON	300	5%	1/4W	
R655	1-247-707-11	(E77ESD)...CARBON	390	5%	1/4W	
R656	1-247-707-11	(E77ESD)...CARBON	390	5%	1/4W	
R657	1-247-707-11	(E77ESD)...CARBON	390	5%	1/4W	
R658	1-249-429-11	CARBON	10K	5%	1/4W	
R659	1-249-429-11	CARBON	10K	5%	1/4W	
R660	1-249-433-11	CARBON	22K	5%	1/4W	
R661	1-249-433-11	CARBON	22K	5%	1/4W	
R662	1-249-417-11	CARBON	1K	5%	1/4W	
R663	1-249-417-11	CARBON	1K	5%	1/4W	
R691	1-249-429-11	CARBON	10K	5%	1/4W	
R692	1-249-429-11	CARBON	10K	5%	1/4W	
R693	1-249-425-11	CARBON	4.7K	5%	1/4W	
R694	1-249-393-11	CARBON	10	5%	1/4W	
R701	1-215-394-00	(E77ESD)...CARBON	75	5%	1/4W	
R703	1-215-394-00	(E77ESD)...CARBON	75	5%	1/4W	
R705	1-215-394-00	(E77ESD)...CARBON	75	5%	1/4W	
R707	1-249-429-11	(E77ESD)...CARBON	10K	5%	1/4W	
R708	1-249-419-11	(E77ESD)...CARBON	1.5K	5%	1/4W	
R709	1-215-432-00	(E77ESD)...CARBON	3K	5%	1/4W	
R710	1-215-452-00	(E77ESD)...CARBON	20K	5%	1/4W	
R711	1-215-442-00	(E77ESD)...CARBON	7.5K	5%	1/4W	
R712	1-249-429-11	(E77ESD)...CARBON	10K	5%	1/4W	
R713	1-249-425-11	(E77ESD)...CARBON	4.7K	5%	1/4W	
R714	1-247-723-11	(E77ESD)...CARBON	6.8K	5%	1/4W	
R715	1-249-417-11	(E77ESD)...CARBON	1K	5%	1/4W	
R716	1-249-429-11	(E77ESD)...CARBON	10K	5%	1/4W	
R717	1-249-433-11	(E77ESD)...CARBON	22K	5%	1/4W	
R718	1-249-433-11	(E77ESD)...CARBON	22K	5%	1/4W	
R719	1-249-433-11	(E77ESD)...CARBON	22K	5%	1/4W	
R720	1-249-429-11	(E77ESD)...CARBON	10K	5%	1/4W	
R721	1-249-425-11	(E77ESD)...CARBON	4.7K	5%	1/4W	
R722	1-249-423-11	(E77ESD)...CARBON	3.3K	5%	1/4W	
R723	1-249-432-11	(E77ESD)...CARBON	18K	5%	1/4W	
R725	1-215-491-00	(E77ESD)...CARBON	820K	5%	1/4W	
R726	1-249-423-11	(E77ESD)...CARBON	3.3K	5%	1/4W	
R727	1-249-437-11	(E77ESD)...CARBON	47K	5%	1/4W	

The components identified by shading and mark Δ are critical for safety. Replace only with part number specified.

Les composants identifiés par une trame et une marque Δ sont critiques pour la sécurité. Ne les remplacer que par une pièce portant le numéro spécifié.

ELECTRICAL PARTS

Ref.No.	Part No.	Description				
R728	1-215-440-00	(E77ESD)...CARBON	6.2K	5%	1/4W	
R729	1-215-448-00	(E77ESD)...CARBON	13K	5%	1/4W	
R730	1-249-429-11	(E77ESD)...CARBON	10K	5%	1/4W	
R731	1-215-476-00	(E77ESD)...CARBON	200K	5%	1/4W	
R732	1-215-476-00	(E77ESD)...CARBON	200K	5%	1/4W	
R733	1-249-429-11	(E77ESD)...CARBON	10K	5%	1/4W	
R734	1-249-429-11	(E77ESD)...CARBON	10K	5%	1/4W	
R735	1-249-435-11	(E77ESD)...CARBON	33K	5%	1/4W	
R736	1-249-413-11	(E77ESD)...CARBON	470	5%	1/4W	
R737	1-249-407-11	(E77ESD)...CARBON	150	5%	1/4W	
R791	1-215-398-00	(E77ESD)...CARBON	110	5%	1/4W	
R792	1-215-394-00	(E77ESD)...CARBON	75	5%	1/4W	
R793	1-215-452-00	(E77ESD)...CARBON	20K	5%	1/4W	
R794	1-215-452-00	(E77ESD)...CARBON	20K	5%	1/4W	
R795	1-249-433-11	(E77ESD)...CARBON	22K	5%	1/4W	
R796	1-249-433-11	(E77ESD)...CARBON	22K	5%	1/4W	
R797	1-215-452-00	(E77ESD)...CARBON	20K	5%	1/4W	
R798	1-249-433-11	(E77ESD)...CARBON	22K	5%	1/4W	
R799	1-249-437-11	(E77ESD)...CARBON	47K	5%	1/4W	
R801	1-247-757-11	(E77ESD)...CARBON	2.7K	5%	1/2W	
R802	1-247-757-11	(E77ESD)...CARBON	2.7K	5%	1/2W	
R803	1-247-716-11	(E77ESD)...CARBON	1.8K	5%	1/4W	
R804	1-246-545-00	(E77ESD)...CARBON	1M	5%	1/4W	
R805	1-249-679-11	(E77ESD)...CARBON	1.8K	5%	1/2W	
R806	1-247-716-11	(E77ESD)...CARBON	1.8K	5%	1/4W	
R807	1-247-716-11	(E77ESD)...CARBON	1.8K	5%	1/4W	
R808	1-247-716-11	(E77ESD)...CARBON	1.8K	5%	1/4W	
R809	1-247-739-11	(E77ESD)...CARBON	100	5%	1/2W	
R810	1-249-616-11	(E77ESD)...CARBON	470K	5%	1/4W	
R851	1-247-757-11	(E77ESD)...CARBON	2.7K	5%	1/2W	
R852	1-247-757-11	(E77ESD)...CARBON	2.7K	5%	1/2W	
R853	1-247-716-11	(E77ESD)...CARBON	1.8K	5%	1/4W	
R854	1-246-545-00	(E77ESD)...CARBON	1M	5%	1/4W	
R855	1-249-679-11	(E77ESD)...CARBON	1.8K	5%	1/2W	
R856	1-247-716-11	(E77ESD)...CARBON	1.8K	5%	1/4W	
R857	1-247-716-11	(E77ESD)...CARBON	1.8K	5%	1/4W	
R858	1-247-716-11	(E77ESD)...CARBON	1.8K	5%	1/4W	
R859	1-247-739-11	(E77ESD)...CARBON	100	5%	1/2W	
R860	1-249-616-11	(E77ESD)...CARBON	470K	5%	1/4W	
R951	1-215-394-00	(E77ESD)...CARBON	75	5%	1/4W	
R952	1-249-429-11	(E77ESD)...CARBON	10K	5%	1/4W	
R953	1-249-429-11	(E77ESD)...CARBON	10K	5%	1/4W	
R954	1-215-394-00	(E77ESD)...CARBON	75	5%	1/4W	
R955	1-249-429-11	(E77ESD)...CARBON	10K	5%	1/4W	
R956	1-249-429-11	(E77ESD)...CARBON	10K	5%	1/4W	
R957	1-249-401-11	(E77ESD)...CARBON	47	5%	1/4W	
R958	1-249-429-11	(E77ESD)...CARBON	10K	5%	1/4W	
R959	1-249-414-11	(E77ESD)...CARBON	560	5%	1/4W	
R960	1-249-401-11	(E77ESD)...CARBON	47	5%	1/4W	
R961	1-249-429-11	(E77ESD)...CARBON	10K	5%	1/4W	
R962	1-249-414-11	(E77ESD)...CARBON	560	5%	1/4W	
R963	1-215-394-00	(E77ESD)...CARBON	75	5%	1/4W	
R964	1-249-429-11	(E77ESD)...CARBON	10K	5%	1/4W	
R965	1-249-429-11	(E77ESD)...CARBON	10K	5%	1/4W	
R966	1-215-394-00	(E77ESD)...CARBON	75	5%	1/4W	
R967	1-249-429-11	(E77ESD)...CARBON	10K	5%	1/4W	
R968	1-249-429-11	(E77ESD)...CARBON	10K	5%	1/4W	

ELECTRICAL PARTS

Ref.No.	Part No.	Description				
R969	1-249-401-11	(E77ESD)...CARBON	47	5%	1/4W	
R970	1-249-429-11	(E77ESD)...CARBON	10K	5%	1/4W	
R971	1-249-414-11	(E77ESD)...CARBON	560	5%	1/4W	
R972	1-249-401-11	(E77ESD)...CARBON	47	5%	1/4W	
R973	1-249-429-11	(E77ESD)...CARBON	10K	5%	1/4W	
R974	1-249-414-11	(E77ESD)...CARBON	560	5%	1/4W	
R975	1-249-440-11	(E77ESD)...CARBON	82K	5%	1/4W	
R976	1-249-435-11	(E77ESD)...CARBON	33K	5%	1/4W	
R977	1-249-416-11	(E77ESD)...CARBON	820	5%	1/4W	
R978	1-249-423-11	(E77ESD)...CARBON	3.3K	5%	1/4W	
R979	1-247-849-00	(E77ESD)...CARBON	5.6K	5%	1/4W	
R980	1-249-423-11	(E77ESD)...CARBON	3.3K	5%	1/4W	
R981	1-249-440-11	(E77ESD)...CARBON	82K	5%	1/4W	
R982	1-249-435-11	(E77ESD)...CARBON	33K	5%	1/4W	
R983	1-249-416-11	(E77ESD)...CARBON	820	5%	1/4W	
R984	1-249-423-11	(E77ESD)...CARBON	3.3K	5%	1/4W	
R985	1-247-849-00	(E77ESD)...CARBON	5.6K	5%	1/4W	
R986	1-249-423-11	(E77ESD)...CARBON	3.3K	5%	1/4W	
RV101	1-237-851-11	RES, VAR, CARBON 120K/120K (ATTENUATOR)				
RV301	1-237-853-11	RES, VAR, CARBON 150K/150K (BALANCE)				
RV302	1-237-854-11	RES, VAR, CARBON 1MX2/500KX2 (BASS)				
RV303	1-237-852-11	RES, VAR, CARBON 250K/250K (TREBLE)				
RV701	1-224-252-XX	(E77ESD)...RES, ADJ, METAL GLAZE 10K				
RY101	1-515-614-11	(E77ESD)...RELAY				
RY102	1-515-614-11	RELAY				
RY103	1-515-614-11	RELAY				
RY104	1-515-614-11	RELAY				
RY105	1-515-614-11	RELAY				
RY106	1-515-614-11	RELAY				
RY107	1-515-614-11	RELAY				
RY108	1-515-614-11	RELAY				
RY109	1-515-614-11	RELAY				
RY110	1-515-614-11	RELAY				
RY111	1-515-614-11	RELAY				
RY112	1-515-614-11	RELAY				
RY113	1-515-614-11	RELAY				
RY114	1-515-614-11	RELAY				
RY115	1-515-614-11	RELAY				
RY116	1-515-614-11	RELAY				
RY117	1-515-614-11	RELAY				
RY118	1-515-614-11	RELAY				
RY119	1-515-614-11	(E77ESD)...RELAY				
RY601	1-515-493-00	RELAY				
RY701	1-515-495-00	(E77ESD)...RELAY				
RY702	1-515-622-11	(E77ESD)...RELAY				
S101	1-554-879-11	SWITCH, SLIDE (AUDIO REC SELECTOR)				
S102	1-571-243-11	SWITCH, SLIDE (AUDIO REC SELECTOR)				
S103	1-571-240-11	SWITCH, ROTARY (OUTPUT)				
S201	1-554-019-00	SWITCH, SLIDE (REMOTE TYPE)(CARTRIDGE)				
S301	1-571-242-11	SWITCH, PUSH (2 KEY)(SUBSONIC, MODE)				
S302	1-570-029-11	SWITCH, PUSH (1 KEY)(TURNOVER)				
S303	1-570-029-11	SWITCH, PUSH (1 KEY)(TURNOVER)				
S601	1-554-303-21	(E77ESD)...SWITCH, KEY BOARD(DIGITAL 1)				
S602	1-554-303-21	SWITCH, KEY BOARD (DIGITAL 2)				
S603	1-554-303-21	SWITCH, KEY BOARD (PHONO)				
S604	1-554-303-21	SWITCH, KEY BOARD (TUNER)				
S605	1-554-303-21	SWITCH, KEY BOARD (CD)				

ELECTRICAL PARTS

Ref.No.	Part No.	Description
S606	1-554-303-21	SWITCH, KEY BOARD (AUX)
S607	1-554-303-21	SWITCH, KEY BOARD (TAPE 1)
S608	1-554-303-21	SWITCH, KEY BOARD (TAPE 2)
S609	1-554-303-21	SWITCH, KEY BOARD (VIDEO 3)
S610	1-554-303-21	SWITCH, KEY BOARD (VIDEO 2)
S611	1-554-303-21	SWITCH, KEY BOARD (VIDEO 1)
S612	1-554-303-21	SWITCH, KEY BOARD (ADAPTOR)
S613	1-554-303-21	(E77ESD)...SWITCH, KEY BOARD (DAT)
S614	1-554-303-21	SWITCH, KEY BOARD (SOURCE DIRECT)
S615	1-554-303-21	SWITCH, KEY BOARD (MUTING -20dB)
S616	1-571-241-11	SWITCH, PUSH (1 KEY)(POWER)
S951	△ 1-570-046-21	(AEP,UK,E)...SWITCH, VOLTAGE CHANGE (VOLTAGE SELECTOR)
T701	1-459-587-11	(E77ESD)...COIL (WITH CORE)
T951	△ 1-449-019-11	(US,Canadian).....TRANSFORMER, POWER
T951	△ 1-449-020-11	(AEP,G-AEP,UK,E)...TRANSFORMER, POWER
T952	△ 1-449-014-11	TRANSFORMER, POWER
TB101	*1-508-880-00	BASE POST, MCD CONNECTOR 6P
TB102	*1-560-200-00	BASE POST, MCD CONNECTOR 2P
TB103	*1-560-200-00	BASE POST, MCD CONNECTOR 2P
TB104	*1-560-200-00	BASE POST, MCD CONNECTOR 2P
TB105	*1-560-200-00	BASE POST, MCD CONNECTOR 2P
TB106	*1-560-200-00	BASE POST, MCD CONNECTOR 2P
TB107	*1-560-200-00	BASE POST, MCD CONNECTOR 2P
TB108	*1-560-200-00	BASE POST, MCD CONNECTOR 2P
TB109	*1-560-200-00	BASE POST, MCD CONNECTOR 2P
TB401	*1-535-115-00	TERMINAL 2P
TB402	*1-535-116-00	TERMINAL 3P
TB403	*1-535-116-00	TERMINAL 3P
TB601	*1-535-139-00	BASE POST 19MM (10MM PITCH) 2P
TB602	*1-535-140-00	(US,Canadian,AEP,UK,E) ...BASE POST 19MM(10MM PITCH) 3P
TB602	*1-535-141-00	(G-AEP)...BASE POST 19MM(10MM PITCH) 4P
TB604	*1-535-115-00	(US,Canadian,G-AEP)...TERMINAL 2P
TH701	1-800-200-00	(E77ESD)...THERMISTOR S-3K
X601	1-567-160-00	OSCILLATOR, CERAMIC (4.19MHz)

ACCESSORY & PACKING MATERIAL

Part No.	Description
1-463-901-11	(E77ES).....COMMANDER, REMOTE (RM-177)
1-463-902-11	(AEP,G-AEP,UK)...COMMANDER, REMOTE (RM-177D)
1-463-953-11	(US,Canadian)....COMMANDER, REMOTE (RM-E7)
1-551-315-00	CORD, CONNECTION (RK-112)
1-557-817-11	(E77ESD)...CORD, CONNECTION
*3-697-712-01	SHEET, PROTECTION
3-703-450-01	INSTRUCTION
3-769-377-11	MANUAL, INSTRUCTION
4-922-201-01	(E77ES)....INDIVIDUAL CARTON
4-922-201-11	(E77ESD)...INDIVIDUAL CARTON
4-922-202-01	CUSHION

<p>The components identified by shading and mark △ are critical for safety. Replace only with part number specified.</p>	<p>Les composants identifiés par une trame et une marque △ sont critiques pour la sécurité. Ne les remplacer que par une pièce portant le numéro spécifié.</p>
---	---

TA-E77ES/E77ESD

SONY®
SERVICE MANUAL

E Model
TA-E77ES

US Model
Canadian Model
AEP Model
UK Model
TA-E77ESD

SUPPLEMENT-1

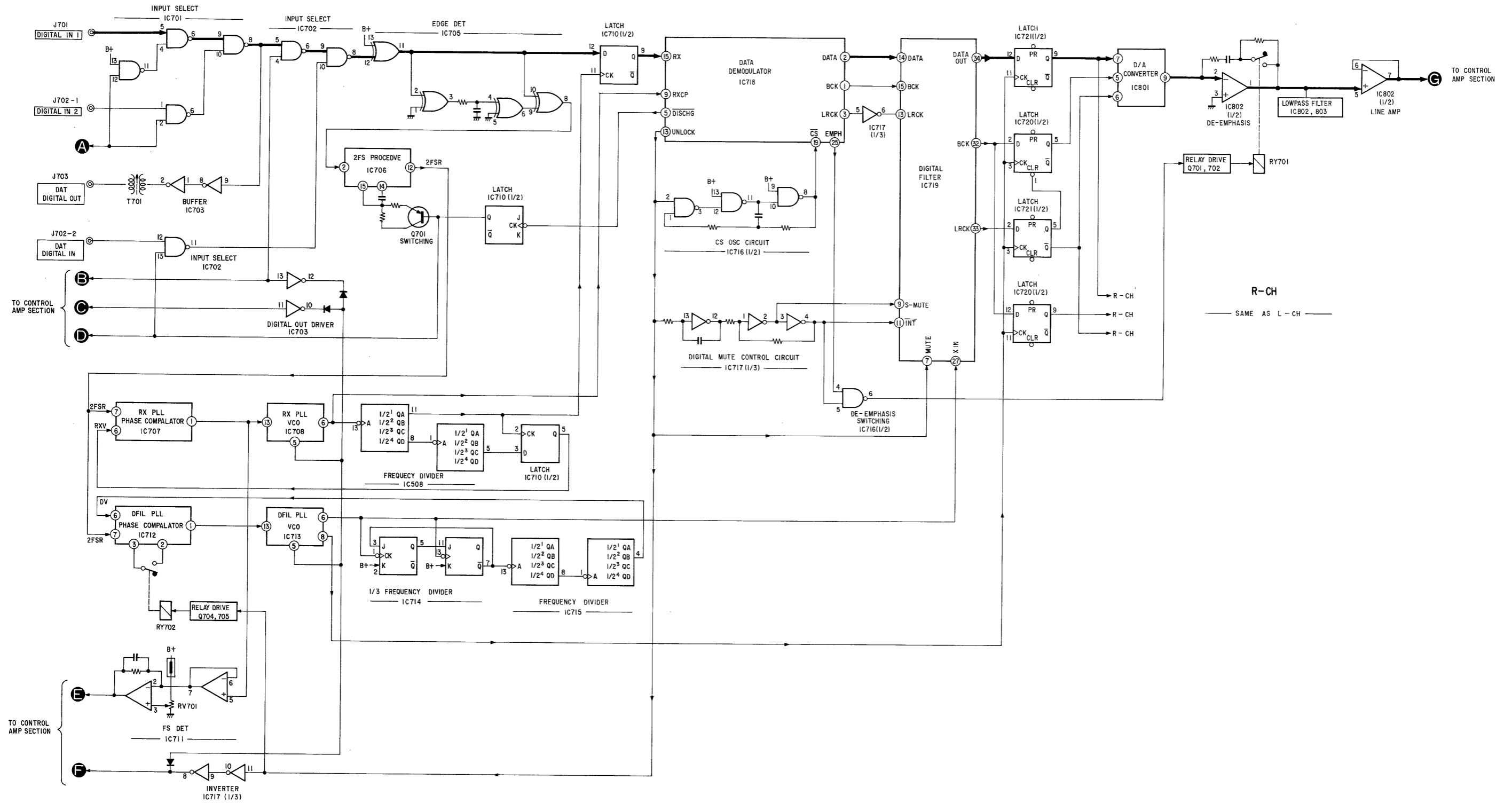
File this Supplement with the Service Manual.

Subject : BLOCK DIAGRAMS ADDITION

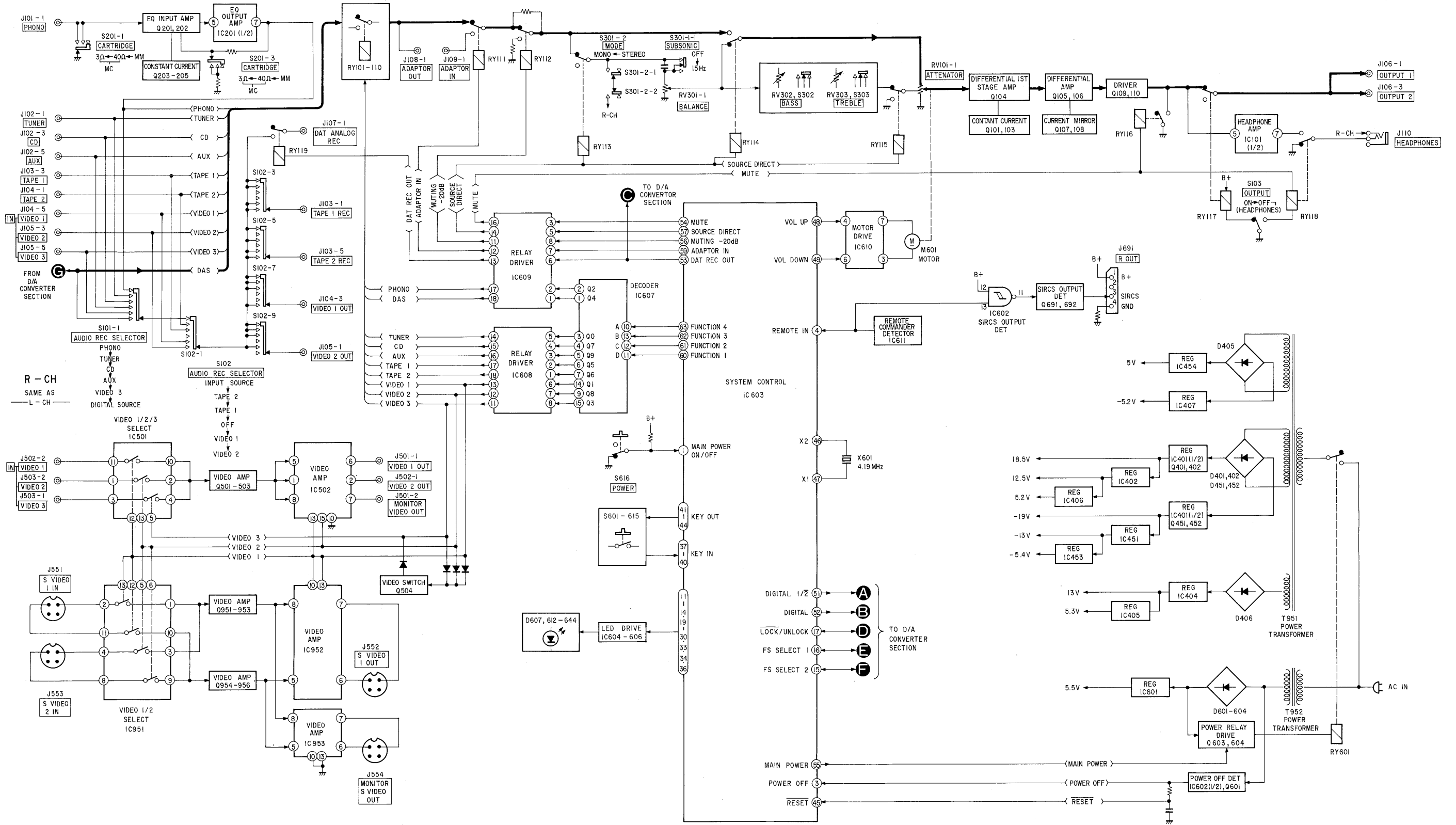
STEREO CONTROL AMPLIFIER
SONY®

AUD

1. D/A CONVERTER SECTION
(TA-E77ESD ONLY)



2. CONTROL AMP SECTION



TA-E77ES/E77ESD

SONY SERVICE MANUAL

SUPPLEMENT-2

File this supplement with the service manual.

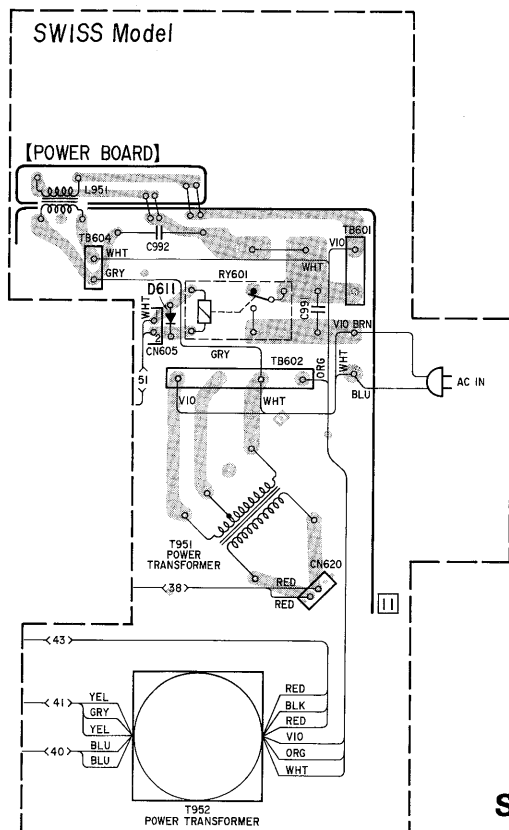
Subject : Swiss model addition

E Model
TA-E77ES
US Model
Canadian Model
AEP Model
UK Model
TA-E77ESD

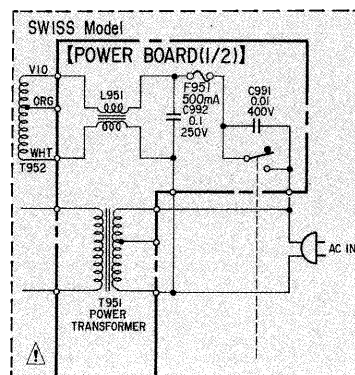
- As only the following parts are different from AEP model, refer to TA-E77ES/E77ESD service manual (Part No. 9-952-909-11) and correction-1 (9-952-909-91) for the other information.

No. or Ref.No	Description	Part No.	
		Swiss model	AEP model
119	LABEL, MODEL NUMBER	*4-922-206-11	*4-922-206-01
153	HEAT SINK	*4-886-555-01	*3-309-144-01
155	PANEL, BACK	*4-922-240-11	*4-922-240-01
169	LABEL, FUSE	*3-701-947-08	none
933	HOLDER, FUSE	1-533-183-11	none
F951	FUSE, TIME-LAG (500mA)	△1-532-279-00	none
C992	FILM 0.1MF 20% 25V	△1-136-472-11	none
L951	TRANSFORMER, LINE FILTER	△1-421-960-11	none
	INSTRUCTIONS	3-776-003-11	none

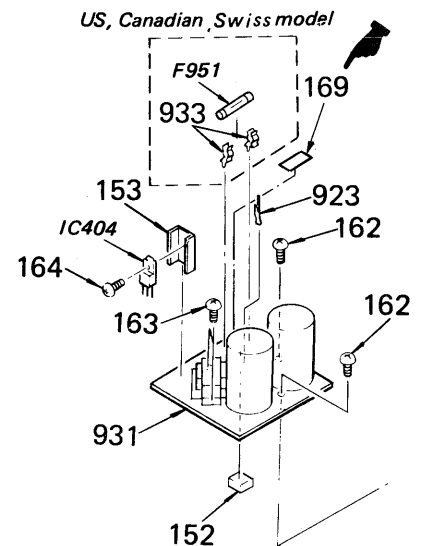
Page 26



Page 30



Page 36



Sony Corporation
Audio Group

TA-E77ES/E77ESD

SONY SERVICE MANUAL

E Model
TA-E77ES

US Model
Canadian Model
AEP Model
UK Model
TA-E77ESD

CORRECTION-1

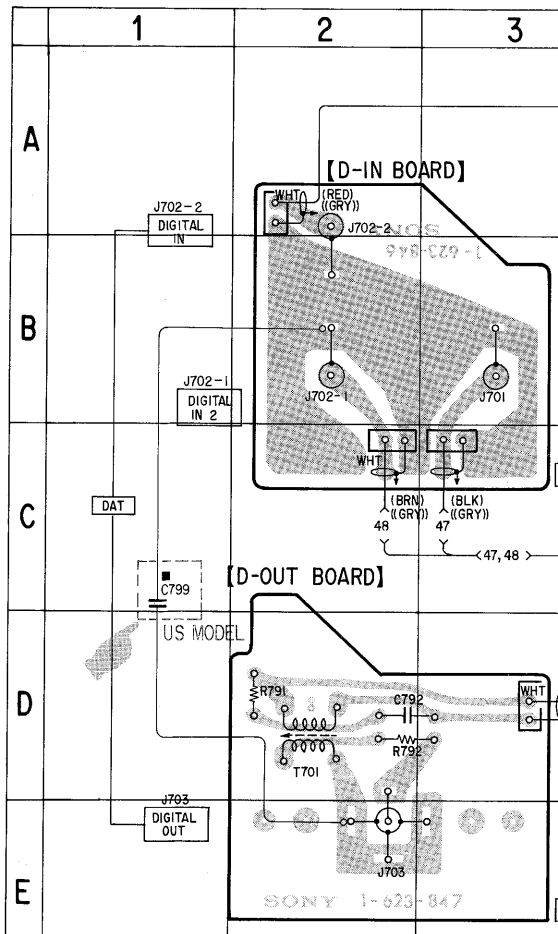
File this correction with the service manual.

: corrected or added portion

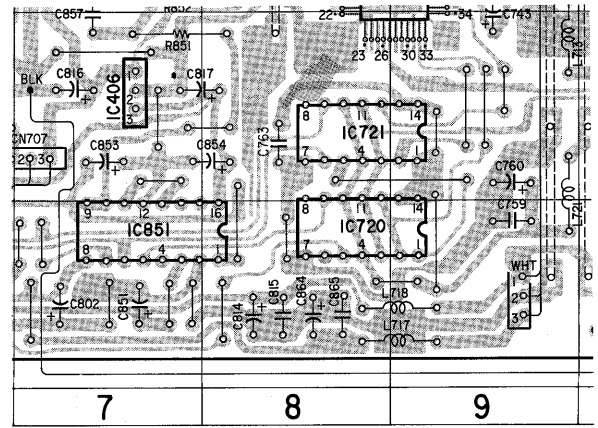
Page 13

- Adjust RV701 so that the difference in voltage between **A**, **B** is $135\text{mV} \pm 5\text{mV}$ measuring 30 seconds later after the power switch is turned ON.

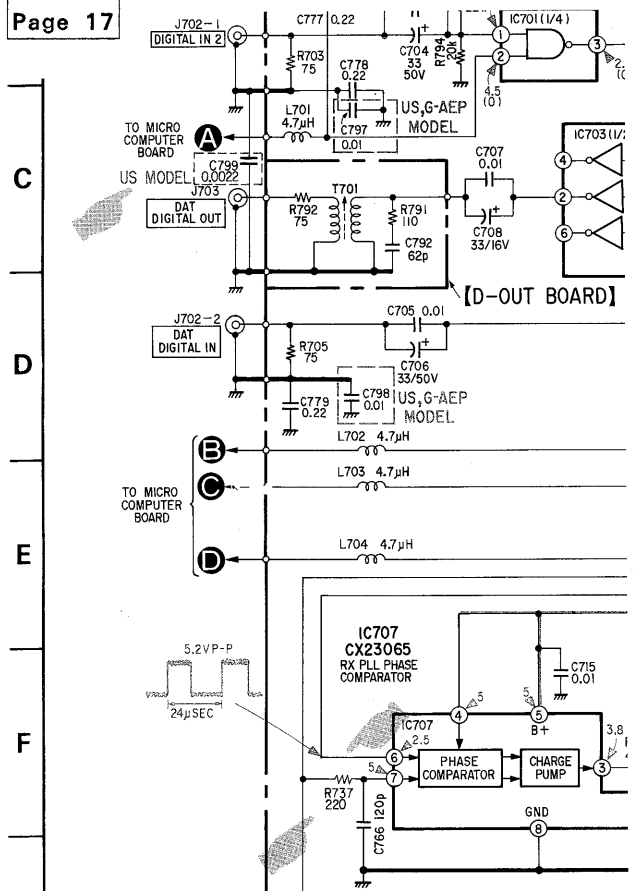
Page 15

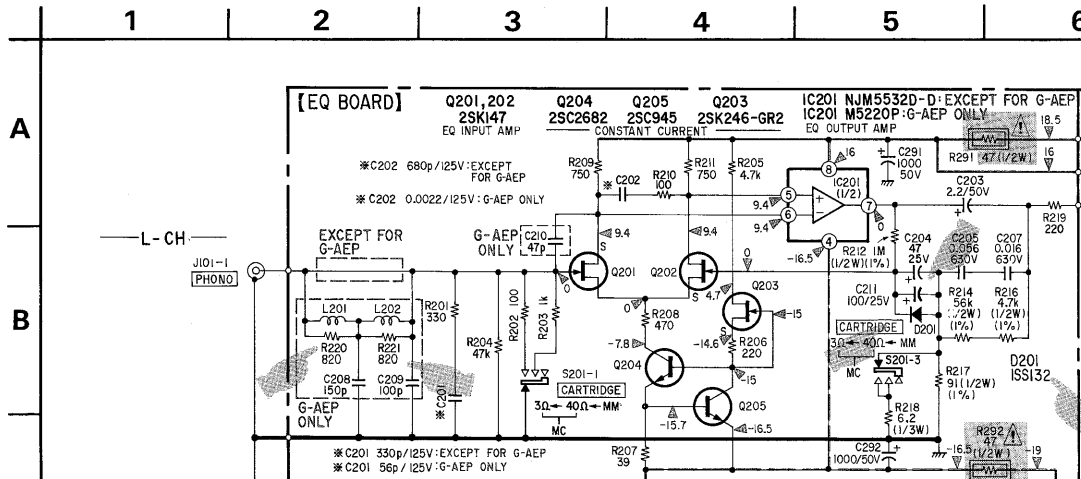
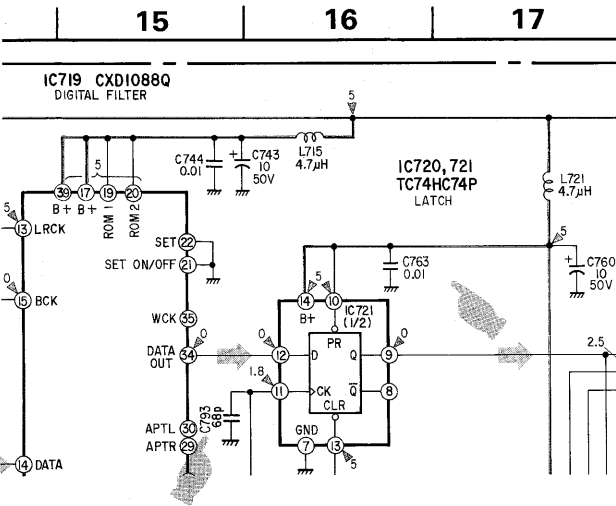
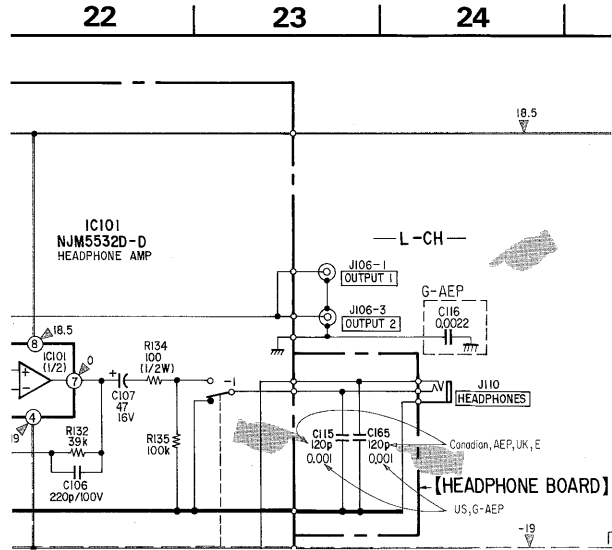
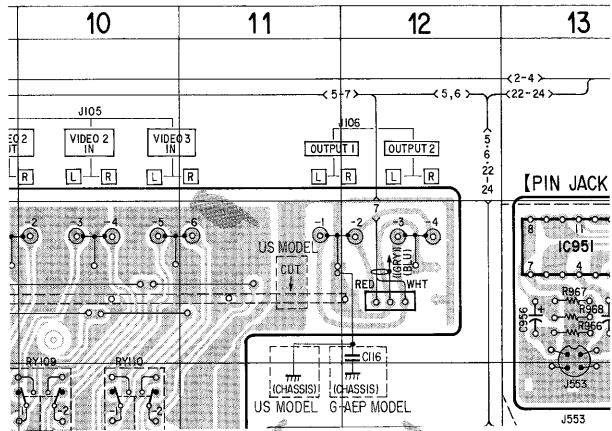
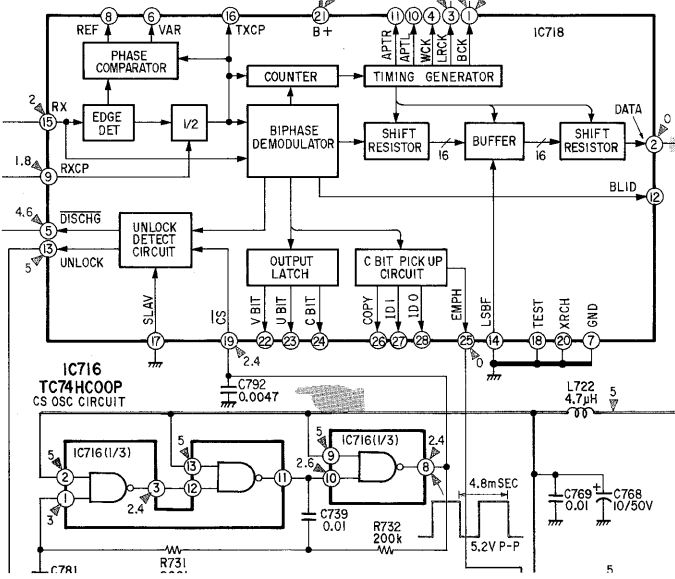


Page 16



Page 17





CORRECTED OR ADDED PARTS

under line : corrected or added portion

Page	Ref.No	Part No	Description
36	925	*1-623-848-11	PC BOARD,SIRCS
37	925	*1-623-848-11	PC BOARD,SIRCS
37	C115	1-162-283-31	(Canadian,AEP,UK,E)..... CERAMIC 120pF 10% 50
37	C115	1-162-294-31	(US,G-AEP)..... CERAMIC 0.001 μ F 10% 50v
37	C116	1-161-275-00	(G-AEP)..... CERAMIC 0.0022 μ F 30% 16V
37	C165	1-162-283-31	(Canadian,AEP,UK,E)..... CERAMIC 120pF 10% 50V
37	C165	1-162-294-31	(US,G-AEP)..... CERAMIC 0.001 μ F 10% 50V
37	C221	1-123-333-00	ELECT 100 μ F 20% 25V
37	C271	1-123-333-00	ELECT 100 μ F 20% 25V
39	C793	1-136-153-00	(E77ESD)..... FILM 0.01 μ F 5% 50V
		↓	
		<u>C763</u>	
39	C794	1-162-219-31	(E77ESD)..... CERAMIC 68pF 5% 50v
		↓	
		<u>C793</u>	
39	C799	1-161-375-00	(E77ESD)..... ELECT 0.0022 μ F 30% 16V
40	D201	8-719-940-76	DIODE 1SS132
40	D251	8-719-940-76	DIODE 1SS132
41	IC602	8-759- 113-52	IC UPD75104CW-078
		↓	
		8-759-140-65	
43	R220	1-247- 786 -11	(G-AEP)..... CARBON 380 5% 1/4W
		↓	
		1-247-712-11	820
43	R221	1-247- 786 -11	(G-AEP)..... CARBON 380 5% 1/4W
		↓	
		1-247-712-11	820
43	R270	1-247- 786 -11	(G-AEP)..... CARBON 380 5% 1/4W
		↓	
		1-247-712-11	820
43	R271	1-247- 786 -11	(G-AEP)..... CARBON 380 5% 1/4W
		↓	
		1-247-712-11	820
44	R721	1-249-425-00	(E77ESD)..... CARBON 4.7K 5% 1/4W
		↓	
		1-215-432-00	3K
45	R737	1-249- 487 -11	(E77ESD)..... CARBON 180 5% 1/4W
		↓	
		1-249-409-11	220

ACCESSORY & PACKING MATERIAL

Page46	3-704-112-01	(AEP,G-AEP,UK,E)..... LID,REMOTE COMMANDER (for RM-177/177D)
	4-922-048-01	(US,Canadian)..... COVER, BATTERY (for RM-E7)
	4-922-254-01	(US,Canadian)..... LID ASSY,UPPER (for RM-E7)
	4-922-255-01	(US,Canadian)..... PLATE (for RM-E7)

TA-E77ES/E77ESD

SONY[®] SERVICE MANUAL

E Model
TA-E77ES

US Model
Canadian Model
AEP Model
UK Model
TA-E77ESD

CORRECTION-2

Correct your service manual as shown below.

Page	INCORRECT			CORRECT	
	<u>Ref. No.</u>	<u>Part No.</u>	<u>Description</u>	<u>Part No.</u>	<u>Description</u>
41	IC607	8-759-008-95	IC MC14028BF	8-759-000-36	IC MC14028BCP